

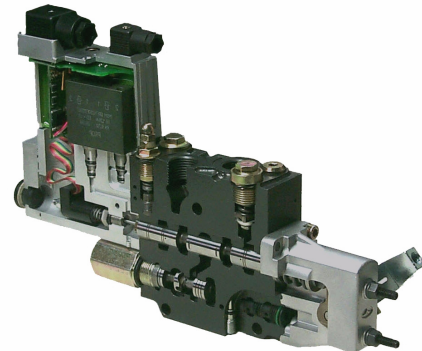
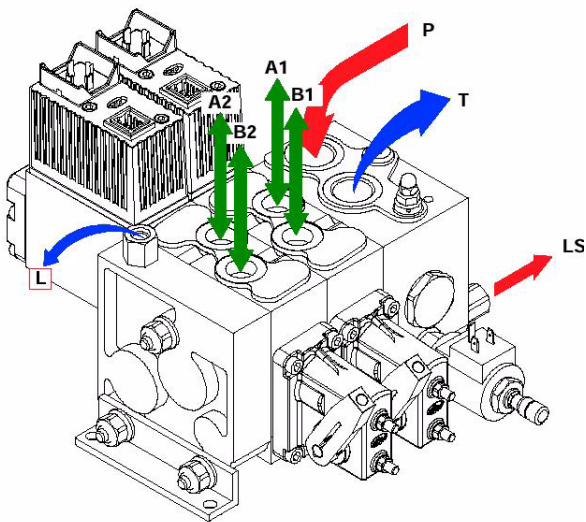
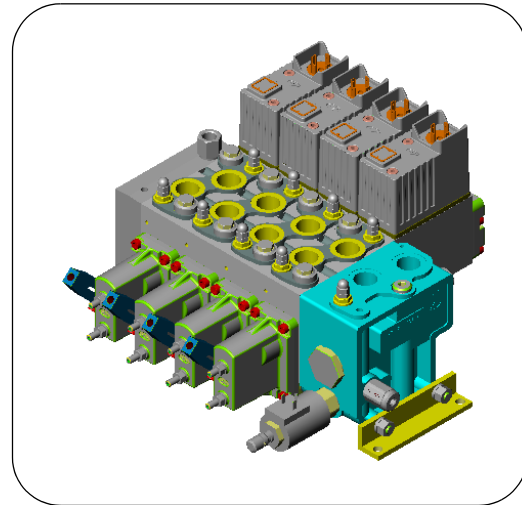
This sectional valve is normally used for mobile machinery, agricultural machines, cranes, drilling rigs and compactors. The spools have various configurations including double-acting, single-acting, 4th position float control and are pre-set for various flow rates.

## DPC130 Series

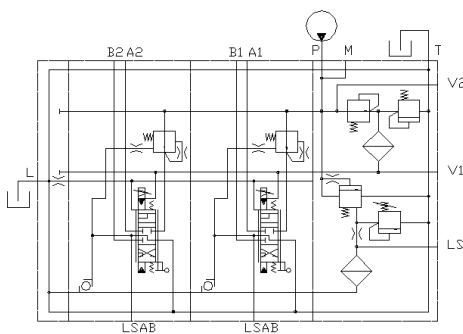
### FEATURES:

- Load independent flow control.
- Internal pilot oil supply built into inlet cover.
- Options for electrical LS unloading valve.
- Interchangeable spools with a range of flow options.
- A wide variety of service port valves.
- Available manual, hydraulic and electro-hydraulic proportional spool control kits.
- Available with compensated or non compensated working sections.

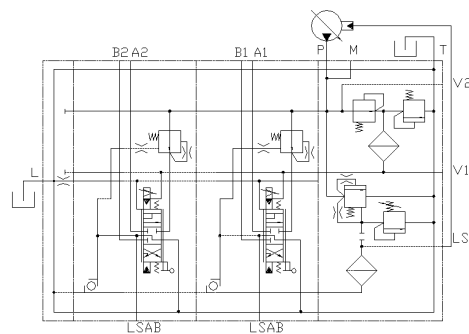
A safety and diagnostics is available on the 8ZR proportional electro-hydraulic control spool kit closed loop system, with electronic on board.



### Open Circuit Fixed Delivery Pump



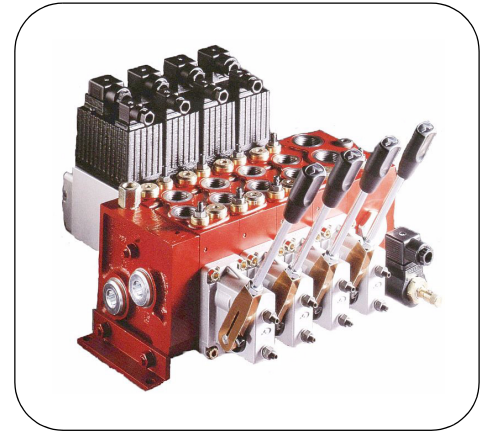
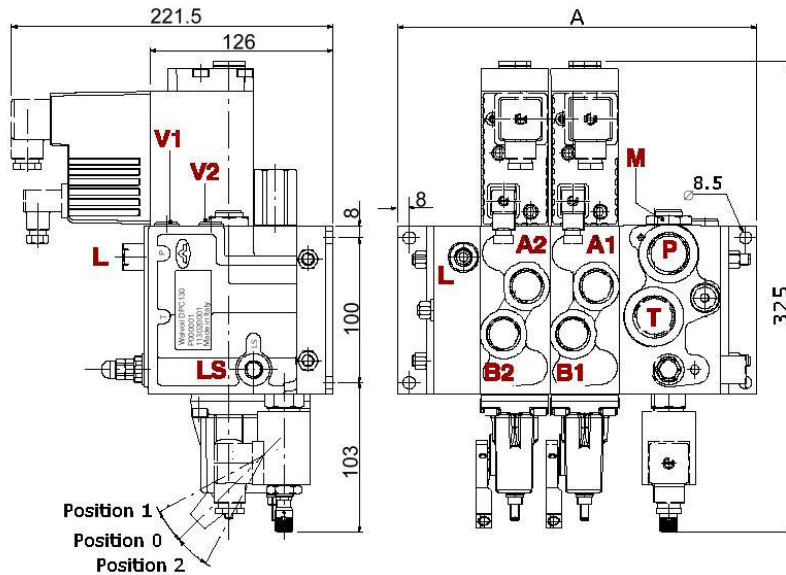
### Closed Circuit Load Sense Pump



PROPORTIONAL VALVES

# DPC130 Series

Proportional Directional control valves with with pre-compensated sections and load sensing. These valves are suitable for load sensing variable displacement pumps or fixed displacement pumps. Available with manual handle, oil pilot or electro-proportional controls.



Inlet Flow	Work Port Non-Comp	Work Port Comp.	Max. Pressure	Max. Back Pressure	Leakage @ 100 BAR	Tiebolt Torque	Ports BSPP			
L/Min	L/Min	L/Min	BAR	BAR	cm <sup>3</sup> / Min	Nm	P,T	A-B	LS	Drain
140	120	100	315	25	16	26	3/4"	1/2"	1/4"	1/4"

Filtration required: 18/15 ISO4406 Viscosity Range = 12 - 400cSt

Type	No. Spools	DIM A (mm)
DPC130-1	1	200
DPC130-2	2	248
DPC130-3	3	296
DPC130-4	4	344
DPC130-5	5	392

Type	No. Spools	DIM A (mm)
DPC130-6	6	440
DPC130-7	7	488
DPC130-8	8	536
DPC130-9	9	584
DPC130-10	10	632

Pricing includes solenoid control and manual override, cylinder spool, spring centred, load sense circuit, relief valve and compensated sections

OPTIONS		
Type	Part No.	Description
BR11	5FIA630701	Inlet-open centre c/w relief valve
BR21	5FIA630700	Inlet-closed centre c/w relief valve
1	3CU4010010	Spool A & B closed
2H	3CU4025010	Spool A & B partially open to tank
3	3CU4031025	Spool single acting on A
5	3CU4041025	Spool 4th position float
ELP	EC08M/10PB	Unloader Sol. Op. 12VDC(24VDC)
8EZ3T4-12VDC	5V08130872	Proportional Sol. Op. 12VDC
8EZ3T4-24VDC	5V08130873	Proportional Sol. Op. 24VDC
8ZR3	5V08130900	Proportional sol. 12 or 24VDC with integral electronics
8IM	5V08130800	Hydraulic pilot - proportional
U1/U2	5KIT330100	Port relief & anti-cavitation
8	5V08130000	Spool position - spring centre
7FT	5V07130000	Spool position - friction control
13	5V13130000	Float 4th position (manual)
13ZR3	5V13130900	as Type 13 for proportional sol.

FLOW OPTIONS	
Flow Symbol	Range L/Min
O	0-10
V	0-25
Q	0-40
S	0-60
N	0-80
P	0-100