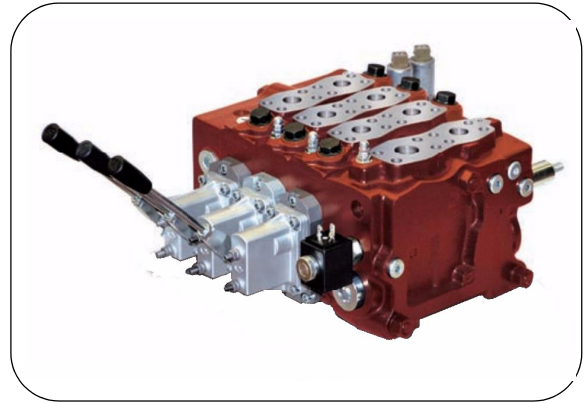
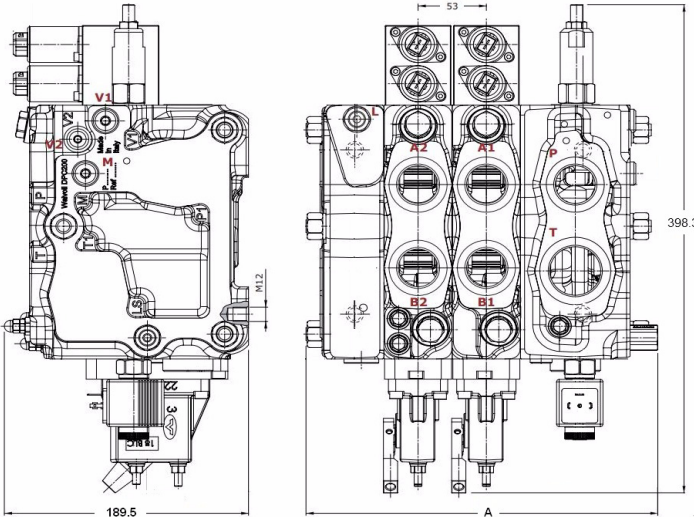


PROPORTIONAL VALVES
DPC200 Series

New line of Proportional Directional control valves with higher flow capacity with pre-compensated sections and load sensing. These valves are suitable for load sensing variable displacement pumps or fixed displacement pumps. Available with manual handle, oil pilot or electro-proportional controls.
A transition plate is available to adapt to DPC130



Inlet Flow	Work Port Non-Comp	Work Port Comp	Max. Pressure	Max. Back Pressure	Leakage @ 100 BAR	Tiebolt Torque	Ports Code 61 Flange (BSPP Ports on Request)			
L/Min	L/Min	L/Min	BAR	BAR	cm ³ / Min	Nm	P,A,B	T	LS	Drain
260	240	200	350	25	20	26	3/4"C61	1"C61	1/4" BSPP	1/4" BSPP

Filtration required: 18/15 ISO4406 , Viscosity Range = 12 - 400cSt

Type	No. Spools	DIM A (mm)
DPC200-1	1	220
DPC200-2	2	273
DPC200-3	3	326
DPC200-4	4	379
DPC200-5	5	432

Type	No. Spools	DIM A (mm)
DPC200-6	6	485
DPC200-7	7	538
DPC200-8	8	591
DPC200-9	9	644
DPC200-10	10	697

Pricing includes solenoid control and manual override, cylinder spool, spring centred, load sense circuit, relief valve and compensated sections

OPTIONS		
Type	Part No.	Description
BR1-1	5FIA620302	Inlet-open centre c/w relief valve
BR2-1	5FIA620304	Inlet-closed centre c/w relief valve
BRF2-3	5FIA620306	Inlet-closed centre w/o compensator
C10	5EL6201310	Section c/w compensator
C11	5EL6201311	as C10 prearranged common press. limit
C22	5EL6201322	as C10 prearranged anti-shock reliefs + press limits
C32	5EL6201332	as C10 prearranged port reliefs + press.limits
1	3CU4510201	Spool A & B closed 200/200 (all spools same price)
2	3CU4525200	Spool A & B open to T
2H	3CU4525200	Spool A & B partially open to T 200/200
3	3CU4530200	Spool single acting on A
ELP	EC08M/10PB	Unloader 12VDC(24VDC)(inc. coil)
8EZ3T-12VDC	5V08200721	Proportional Solenoid 12VDC
8EZ3T-24VDC	5V08200741	Proportional Solenoid 24VDC
8IM	5V08200801	Oil pilot - proportional
U1 or U2	5KIT330210	Port relief & anti-cavitation
LSD	XCAR126215	Port Pressure Limiting
8	5V08200000	Spool position - spring centre

STD FLOW OPTIONS (Port A/B)
Range L/Min
25/25
50/50
75/75
100/100
125/125
150/150
175/175
200/200

The above are spare part prices - Not necessarily "add on" prices.