

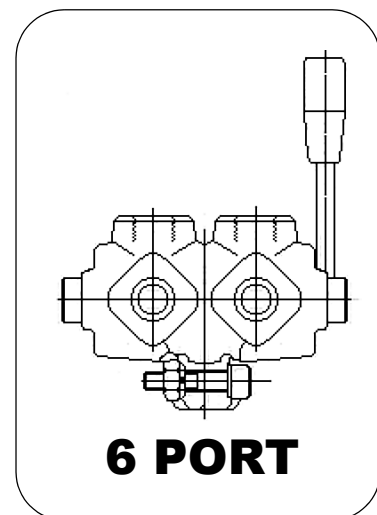
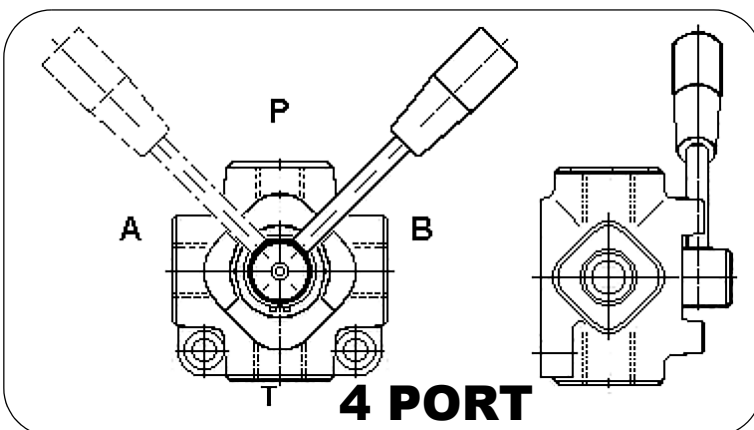
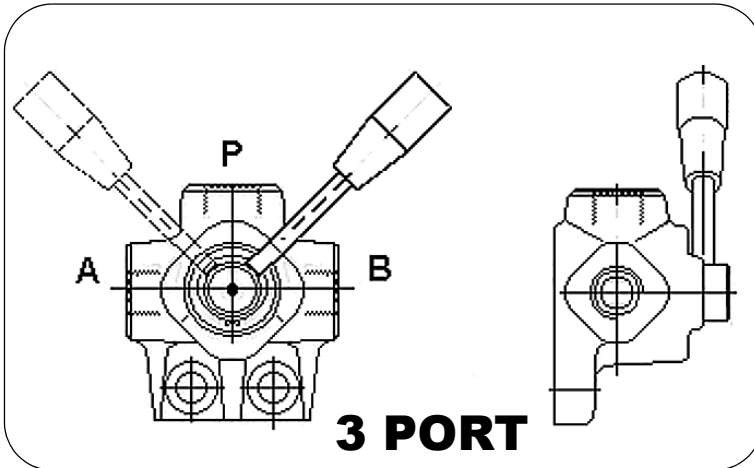
DIVERTER VALVES

DH Series

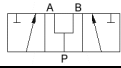
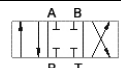
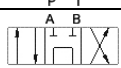

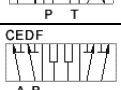
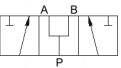
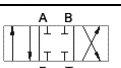

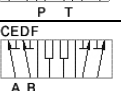
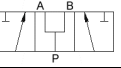

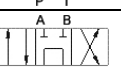
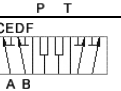
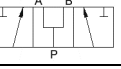




Simple, compact and heavy-duty designed, with cast iron bodies and steel spools.

Available in 3-, 4-, 6- and 8-way, diverter valves are suitable to intercept and divert the flow on hydraulic systems, wherever a movement sequence, a safety device or a control selection of different actuators is needed.



DH Series

Part No.	Circuit	Number of Ports	Max Flow L/Min	Max Press. bar	Port Size BSPP
DH5/3-A		3	60	315	3/8"
DH5/4-A		4			
DH5/4-B					
DH5/4-C					
DH5/6-A		6			
DH10/3-A		3	90	315	1/2"
DH10/4-A		4			
DH10/4-B					
DH10/6-A		6			
DH20/3-A		3	140	315	3/4"
DH20/4-A		4			
DH20/4-B					
DH20/6-A		6			
DH25/3-A		3	200	250	1"
DH25/6-A		6			
DH30/3-A		3	280	210	1-1/2"