

# DF Series Diverter Valves



### Spool Diverter Valves

Flows up to 220 l/min

Pressures up to 350 bar (5100 psi).

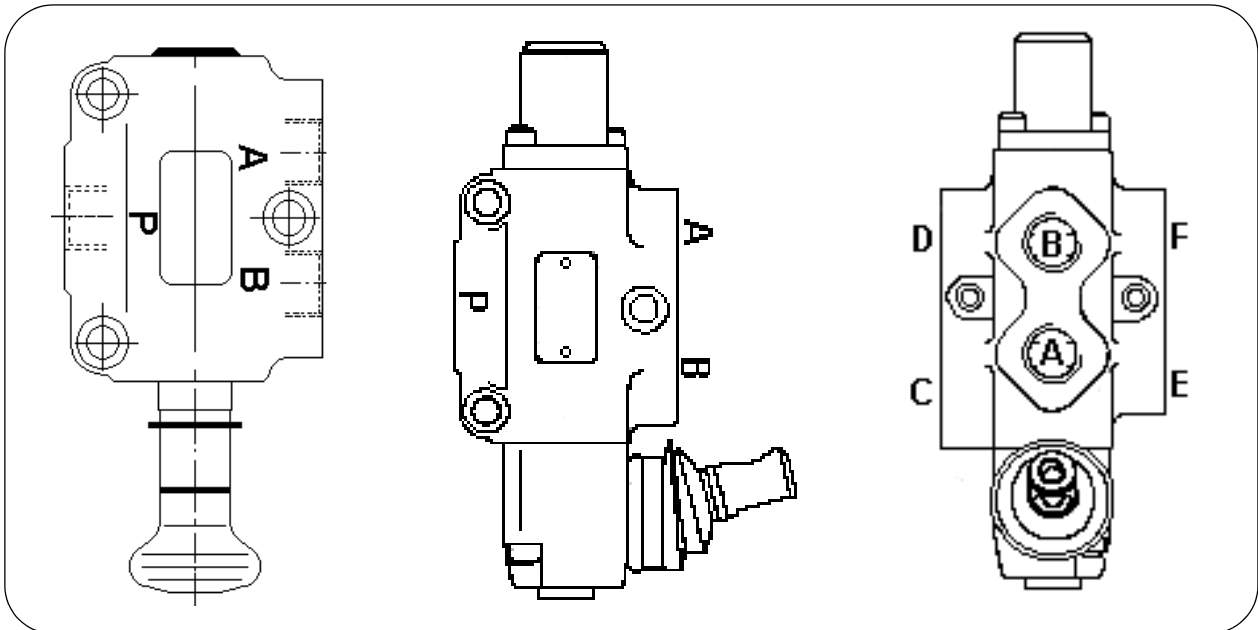
Made in special high resistance cast iron with a nickel plated carbon steel spool.

Circuit can be 2-3-6 way.

Spool operation options - manual, pneumatic, hydraulic pilot, electro-hydraulic

and cam controls are available.

**NB: Mining versions available with non alloy handles and end caps**



**3 WAY**  
Push - Pull

**3 WAY**  
Lever Operated

**6 WAY**  
Lever Operated

<b>Size</b>	DF5, DF10, DF20
<b>No. of Ports</b>	3, 6
<b>Spool Type</b>	OPEN IN CROSSOVER = A CLOSED IN CROSSOVER = B
<b>Spool Control</b>	2 POSITION DETENT = 12 SPRING OFFSET P TO B = 17 SPRING OFFSET P TO A = 18
<b>Actuator</b>	PUSH PULL = MA HAND LEVER = L CAM = C

DF10 / 3 A - 12 - L

Part No.	Circuit	Num. of Ports	Max Flow L/Min	Max Press. BAR	Port Size BSPP	Operation Control	Position Control
DF5/2B-12-L		2	60	315	3/8"	Lever Op.	DETENT
DF5/2BC-17-CB						Cam Op.	SPRING
DF5/2A-17-L						Lever Op.	SPRING
DF5/3A-12-L		3				Lever Op.	DETENT
DF5/3AC-17-CB						Cam Op.	SPRING
DF5/3A-17-L						Lever Op.	SPRING
DF5/3A-18-L						Lever Op.	SPRING
DF5/3A-MA						Push Pull	N/A
DF5/3D-15-L		6				Lever Op.	Detent
DF5/6A-12-L						Lever Op.	DETENT
DF5/6B-12-L			Lever Op.	DETENT			
DF10/3A-12-L		3	90	315	1/2"	Lever Op.	DETENT
DF10/3A-17-L						Lever Op.	SPRING
DF10/3A-MA						Push Pull	N/A
DF10/6A-12-L		6				Lever Op.	DETENT
DF10/6B-12-L						Lever Op.	DETENT
DF20/3A-12-L		3	140	315	3/4"	Lever Op.	DETENT
DF20/3A-MA						Push Pull	N/A
DF20/6A-12-L		6				Lever Op.	DETENT
DF20/6B-12-L						Lever Op.	DETENT
DF25/3A-12-L		3	280	315	1"	Lever Op.	DETENT