

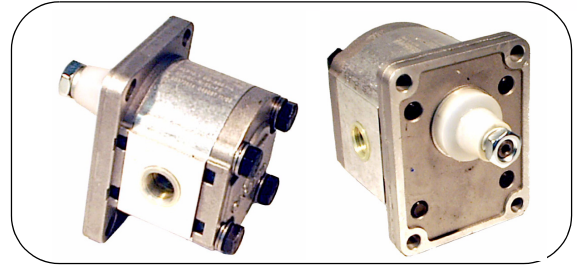
HYDRAULIC GEAR PUMPS

Polaris Series - Group 1

Mount : Euro-Mount Std & Heavy Duty

Shaft : 1 in 8 Std & Heavy Duty Taper Shafts

Ports : Threaded BSPP



PLP10 - Group 1 Euro-Mount

Part No.	DISP. CC/REV	MAX PRESSURE			MAX SHAFT SPEED	PORTS		DIM MM		
		P1	P2	P3		BSPP		A	B	
		BAR				IN	OUT			
PLP10-1D-81E1-GCGC PLP10-1D-86E7-GCGC	1.07	260	280	290	4000	3/8"	3/8"	65.7	31.6	
PLP10-1.5D-81E1-GCGC PLP10-1.5D-86E7-GCGC	1.60							67.8	32.4	
PLP10-2D-81E1-GCGC PLP10-2D-86E7-GCGC	2.13							68.9	33.2	
PLP10-3.15D-81E1-GCGC PLP10-3.15D-86E7-GCGC	3.34							72.5	35	
PLP10-4D-81E1-GCGC PLP10-4D-86E7-GCGC	4.27	250	270	280		3500	1/2" (GD)	1/2" (GD)	75.3	36.4
PLP10-5D-81E1-GDGD PLP10-5D-86E7-GDGD	5.34								78.5	38
PLP10-6.3D-81E1-GDGD PLP10-6.3D-86E7-GDGD	6.67	230	250	260					82.5	40
PLP10-8D-81E1-GDGD PLP10-8D-86E7-GDGD	8.51	180	200	210					88	42.8
PLP10-10D-81E1-GDGD PLP10-10D-86E7-GDGD	10.67	140	160	170	94.5				46	

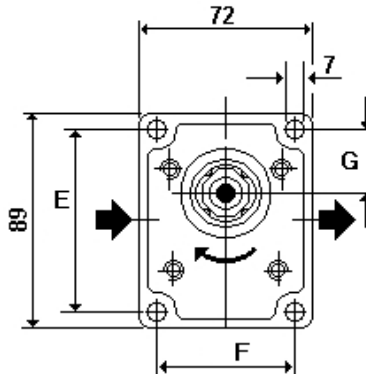
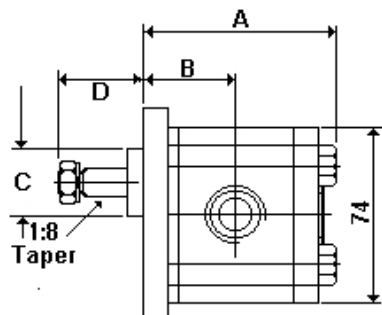
p1 = continuous max. pressure p2 = intermittent max. pressure p3 = peak pressure

SERIES

PLP10-10 D- 86 E7 - GDGD

DISPLACEMENT CODE

Rotation Code	Shaft Code	Mount Code	Port Code
D = Clockwise	81 = 1-in-8 Std Duty taper	E1 = Euro Mount Std	GC = 3/8" BSPP
S = Counterlockwise	86 = 1-in-8 Heavy Duty taper	E7 = Euro Mount HD	GD = 1/2" BSPP



Dimensions		
	81E1	86E7
C	25.4	30
D	28.9	35
E	72	73
F	52	56
G	26.5	24.5

MULTIPLE PUMP PRICING
use the price of each single pump
plus assembly kit.

Assembly Kit	Inter. Plate
**PLP10/10	88V6
**PLP10/10/10	88V6 + 88V6