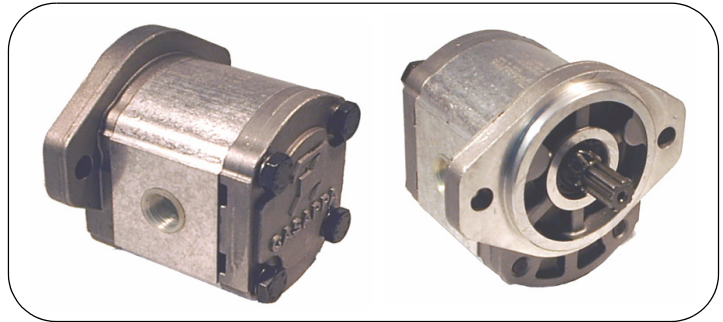


HYDRAULIC GEAR PUMPS

Polaris Series - Group 2
 Mount : SAE "A" 2 Bolt Mount
 Shaft : Splined or Keyed
 Ports : Threaded BSPP

PLP20 - Group 2 SAE 2 Bolt Mount

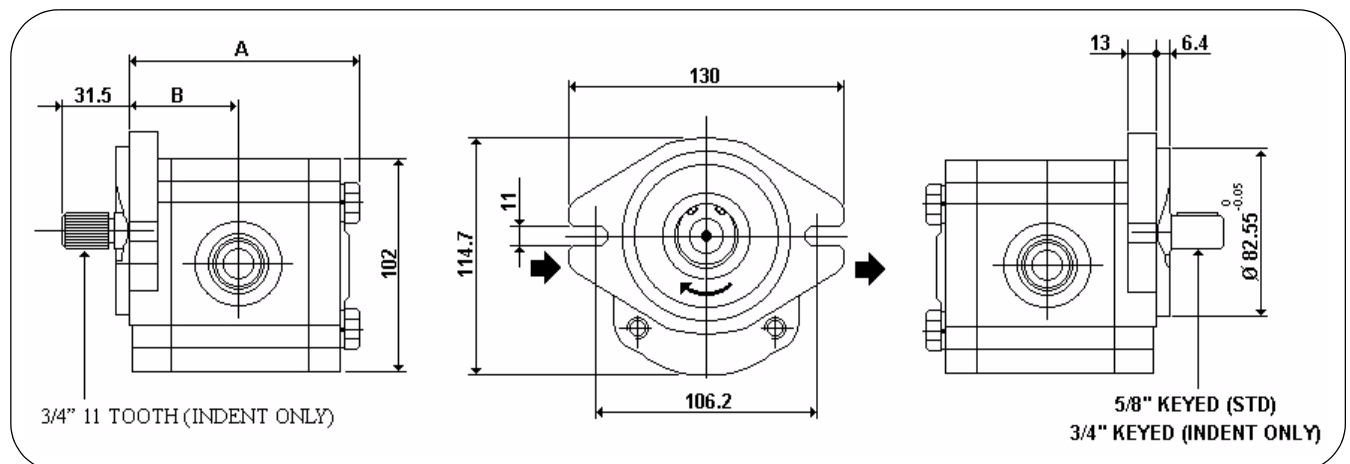


Part No.	DISP. CC/ REV	MAX PRESSURE			MAX SHAFT SPEED	PORTS		DIM MM	
		P1	P2	P3		BSPP		A	B
		BAR				IN	OUT		
PLP20-4D-03S1-GDGD	4.95	250	280	300	4000	1/2" (GD)	1/2" (GD)	95	45.7
PLP20-6.3D-03S1-GDGD	6.61							97.5	47
PLP20-8D-03S1-GDGD	8.26							100	48.2
PLP20-9D-03S1-GDGD	9.17							101.3	48.9
PLP20-11.2D-03S1-GDGD	11.23				3000	3/4" (GE)	1/2" (GD)	104.5	50.5
PLP20-14D-03S1-GE GD	14.53							109.5	53
PLP20-16D-03S1-GE GD	16.85							113	54.7
PLP20-20D-03S1-GE GD	21.14							119.5	58
PLP20-25D-03S1-GE GD	26.42							127.5	62
PLP20-31.5D-03S1-GE GD	33.03							137.5	67

p1 = continuous max. pressure p2 = intermittent max. pressure p3 = peak pressure

SERIES **PLP20-20 D- 31 S1 - GEGD**
 DISPLACEMENT CODE

Rotation Code	Shaft Code	Mount Code	Port Code
D = Clockwise	03 = 5/8" 9 Tooth 31 = 5/8" Keyed 49 = 3/4" Keyed 07 = 3/4" 11 Tooth	S1 = SAE "A" 2 BOLT	GD = 1/2" BSPP
S = Counterclockwise			GE = 3/4" BSPP



MULTIPLE PUMP PRICING - Same price as single pumps plus assembly kit.