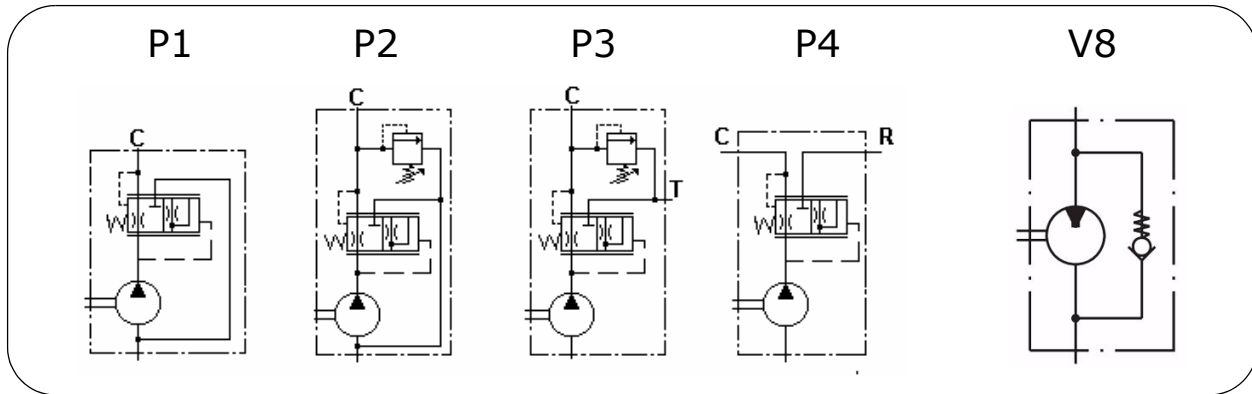


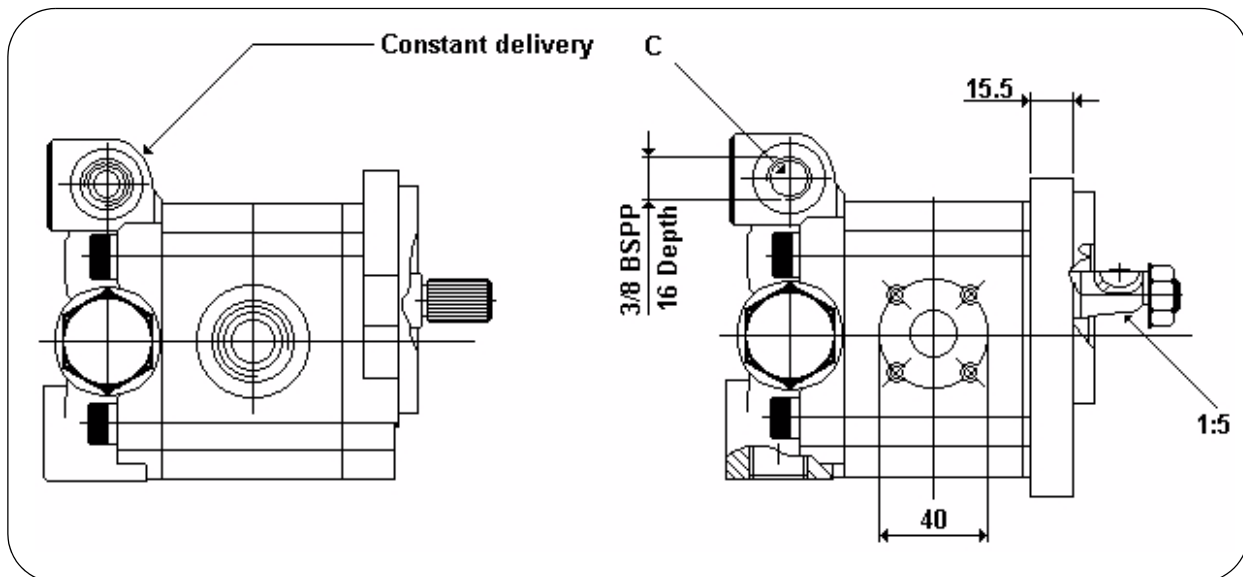
HYDRAULIC GEAR PUMPS

POLARIS SERIES GROUP 2

Circuit Options



- P1 = Constant Flow at 'C'; Excess flow to inlet.**
- P2 = Constant Flow at 'C'; With Relief; Excess flow to inlet.**
- P3 = Constant Flow at 'C'; With Relief; Excess flow to tank.**
- P4 = Constant Flow at 'C'; Excess Flow Avail at 'R' for Second Circuit.**
- V8 = Anticavitation Check Valve for overrun motor applications**
To suit both "E2" EURO mount and "S1" SAE A mount.



NB: Constant flow rate must be stated with order. Example pump code with 'P2' option and 8 Lt/Min constant flow at 'C'. **PLP20-20-82E2-GEED-P2-8**

PRICING: Please consult the sales centre for pricing of these options.