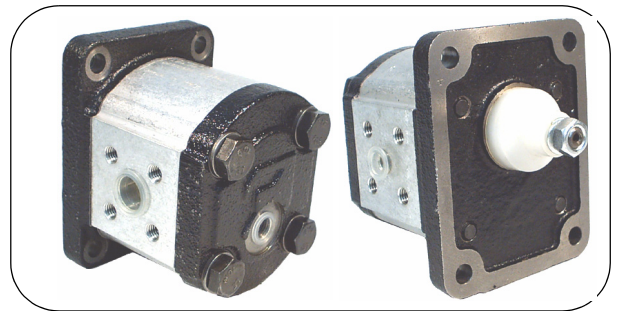


HYDRAULIC GEAR MOTORS

Polaris Series - Group 1
Mount Type:EUROMOUNT SERIES

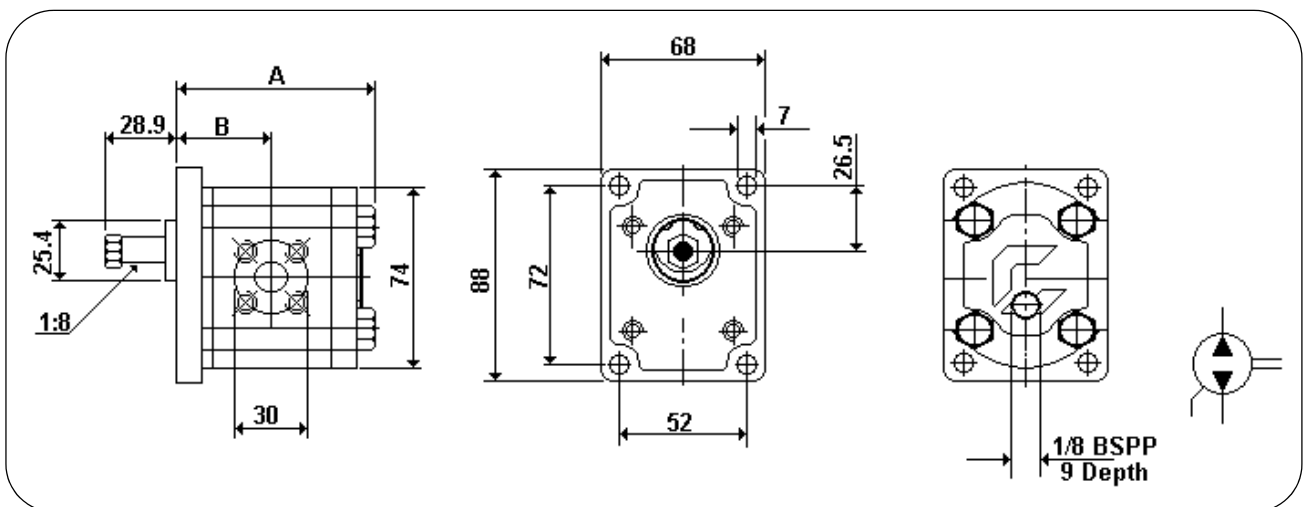
PLM10 - Group 1 EURO Mount "81E1 & 86E7"



Part No.	DISP. CC/REV	MAX CONT PRESSURE	MAX SHAFT SPEED	PORTS		OUTPUT kW	TORQUE NM
				Adaptor			
		BAR	IN	OUT	AT 100 BAR AND 1000 RPM		
PLM10-2R-81E1-BBBA	2.13	221	4000	1GQ12	1GQ12	0.27	2.71
PLM10-3.15R-81E1-BBBA	3.34					0.42	4.20
PLM10-4R-81E1-BBBA	4.27					0.54	5.42
PLM10-5R-81E1-BBBA	5.34	196	3500	1/2"	1/2"	0.66	6.63
PLM10-6.3R-81E1-BBBA	6.67					0.83	8.39
PLM10-8R-86E7-GDGD	8.51	153	3500	1/2"	1/2"	1.06	10.70
PLM10-10R-86E7-GDGD	10.67	119				1.33	13.40

SERIES **PLM10- 4 R- 81 E1 - BBBA**
DISPLACEMENT CODE

Rotation Code	Shaft Code	Mount Code	Port Code
D = Clockwise	81 = Taper 86 = H.D. Taper	E1 = EURO MOUNT E7 = H.D. MOUNT	BB = IN PORT Adaptor BA = OUT PORT Adaptor GD = 1/2"BSPP GC = 3/8 BSPP
S = Counterclockwise			
R = Reversing			



The above pressure ratings are for reversible motors. **NB: A drain line to tank must be run for reversible motors.**
For input flow allow volumetric efficiency of 90%. Output kW figures allow for overall efficiency of 82%.
Output torque figures allow for mechanical efficiency of 85%.