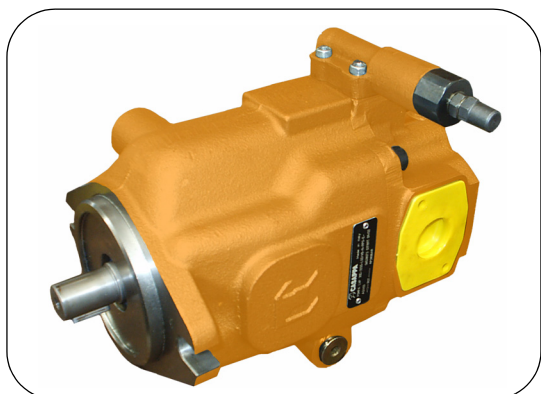


PLATA LVP30



Variable displacement axial piston pumps. These pumps are the optimal solution for open circuit applications.

PLATA pumps are available with a wide range of control options.

The pump shaft is designed for both radial and axial loads, and supports full torque transmission in multiple unit configurations.

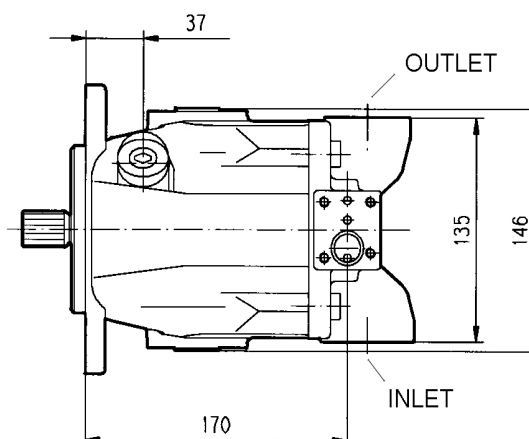
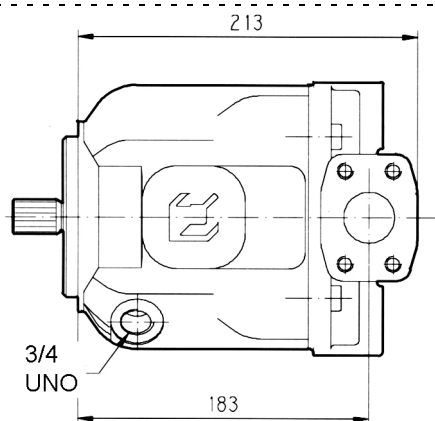
Displacement CC/REV	PRESSURE BAR			MAX SPEED RPM	PORTS		MOUNT INPUT
	CONT.	INT.	PEAK.		IN CODE 61	OUT CODE 62	
29	280	315	350	3000	1 1/4"	3/4"	SAE "B" 2 BOLT

Part No.	Rotation	SHAFT	PORTS	Regulator	Aux. Mount. Options
LVP30D-04S5-LM-RP0-E	CW	7/8" x 13T SPLINE	SIDE	PRESS. COMP	Max. Disp. limiter
LVP30D-04S5-LM-RP0-E1	CW	7/8" x 13T SPLINE	SIDE	PRESS. COMP	Max. Disp. limiter + SAE "A" Aux Mount
LVP30D-04S5-LM-LS0-E	CW	7/8" x 13T SPLINE	SIDE	LOAD SENSE	Max. Disp. limiter
LVP30D-04S5-LM-LS0-E1	CW	7/8" x 13T SPLINE	SIDE	LOAD SENSE	Max Disp. limiter + SAE "A" Aux. Mount.

Options are numerous, so please contact the Sales Centre for the correct price of a unit to suit your particular needs.

NB: Side Ported Units are our stock line, however rear ported units are available.

OPTIONS	
32	7/8" KEYED SHAFT
LS2	LOAD SENSE REMOTE CONTROL
RNO	TORQUE LIMITER
S	PROPORTIONAL FLOW SERVO CONTROL
SE	PROPORTIONAL FLOW SERVO CONTROL WITH INTEGRAL ELECTRONICS
U	UNLOADING VALVE
E	MAX. DISPLACEMENT LIMITER
F	MIN. DISPLACEMENT LIMITER
G	MIN & MAX DISPLACEMENT LIMITER
AS1	SAE 'A' INTERFLANGE
AS5	SAE 'B' INTERFLANGE



STD CW PUMP WITHOUT CONTROLS AND AUX PAD SHOWN