

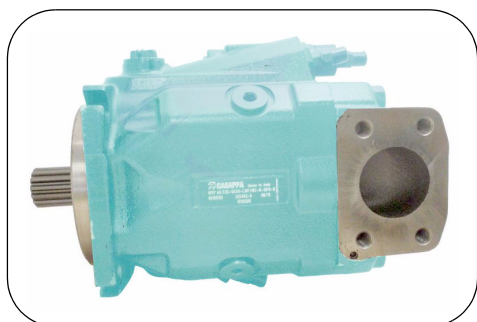
MVP Series Mobile Pumps

Variable displacement axial piston pumps.

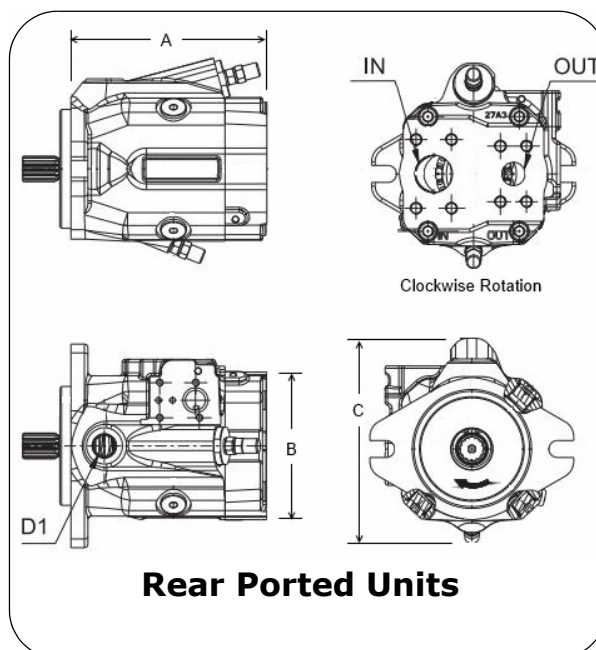
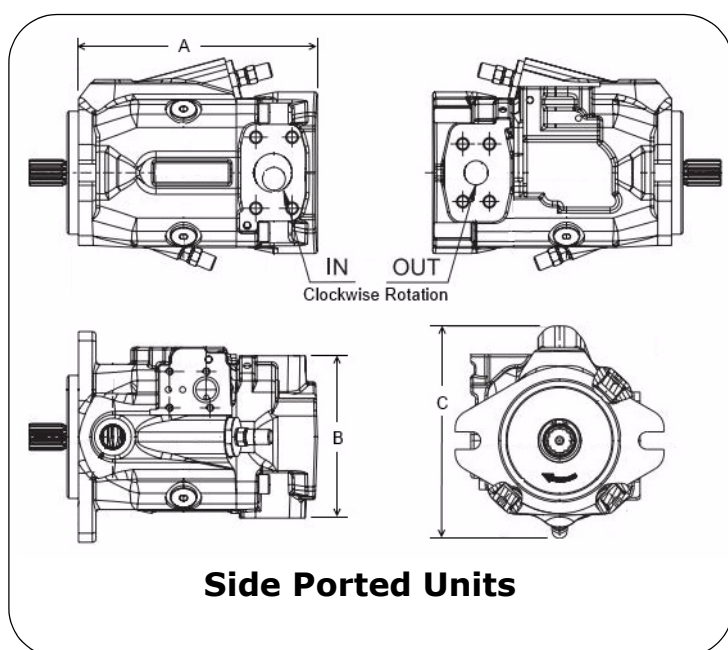
These pumps are the optimal solution for **mobile** applications. MVP Series pumps are available with a wide range of control options. The compact design makes them ideally suited for direct mount to engines and gearboxes.

The displacements in each frame size are infinitely variable between maximum and minimum via simple screw adjustment. The pump shaft supports full torque transmission in multiple unit configurations.

They are available in side (L) and rear (P) ported versions. The versions listed here are limited by the space available, please contact your nearest Southcott branch or distributor for the availability of the unit to suit your requirements.



| Pressure Comp. Part No. | Disp cc/rev | Cont Press | Peak Press | Max RPM | Port Position | Inlet Port C61 | Press Port C61 | Dim A | Dim B | Dim C |
|-------------------------|-------------|------------|------------|---------|---------------|----------------|----------------|-------|-------|-------|
| MVP30-28D-04S5L-RP0 | 28 | 280 | 350 | 3500 | Side | 1-1/4" | 3/4" | 199 | 141 | 176 |
| MVP30-28D-04S5P-RP0 | 28 | 280 | 350 | 3500 | Rear | 1-1/4" | 3/4" | 167 | 137 | 176 |
| MVP30-34D-04S5L-RP0 | 34.8 | 250 | 315 | 2900 | Side | 1-1/4" | 3/4" | 199 | 141 | 176 |
| MVP30-34D-04S5P-RP0 | 34.8 | 250 | 315 | 2900 | Rear | 1-1/4" | 3/4" | 167 | 137 | 176 |
| MVP48-45D-05S5L-RP0 | 45 | 280 | 350 | 3000 | Side | 1-1/2" | 1" | 222 | 152 | 194 |
| MVP48-45D-05S5P-RP0 | 45 | 280 | 350 | 3000 | Rear | 1-1/2" | 1" | 189 | 151 | 194 |
| MVP48-53D-05S5L-RP0 | 53.7 | 250 | 315 | 2500 | Side | 1-1/2" | 1" | 222 | 152 | 194 |
| MVP48-53D-05S5P-RP0 | 53.7 | 250 | 315 | 2500 | Rear | 1-1/2" | 1" | 189 | 151 | 194 |
| MVP60-60D-06S8L-RP0 | 60 | 280 | 350 | 3000 | Side | 2" | 1" | 249 | 152 | 206 |
| MVP60-60D-06S8P-RP0 | 60 | 280 | 350 | 3000 | Rear | 2" | 1" | 214 | 152 | 206 |
| MVP60-72D-06S8L-RP0 | 72 | 280 | 350 | 2700 | Side | 2" | 1" | 249 | 152 | 206 |
| MVP60-72D-06S8P-RP0 | 72 | 280 | 350 | 2700 | Rear | 2" | 1" | 214 | 152 | 206 |
| MVP60-84D-05S5L-RP0 | 84.7 | 250 | 350 | 2700 | Side | 2" | 1" | 249 | 152 | 206 |
| MVP60-84D-06S8L-RP0 | 84.7 | 250 | 315 | 2300 | Side | 2" | 1" | 249 | 152 | 206 |
| MVP60-84D-06S8P-RP0 | 84.7 | 250 | 315 | 2300 | Rear | 2" | 1" | 214 | 152 | 206 |



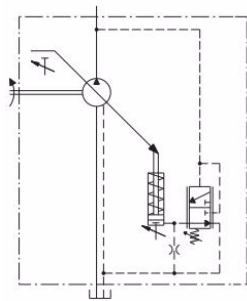
| Load Sense Single Pump Part No. | Disp cc/rev | Input Shaft | Input Mount | Press. Comp. Single Pump Part No. |
|----------------------------------|-------------|-------------|-------------|-----------------------------------|
| MVP30-34D-04S5L-LS0 | 34.8 | 7/8"13T | SAE B2B | MVP30-34D-04S5L-RP0 |
| MVP30-34D-04S5P-LS0 | 34.8 | 7/8"13T | SAE B2B | MVP30-34D-04S5P-RP0 |
| MVP48-53D-05S5L-LS0 | 53.7 | 1"15T | SAE B2B | MVP48-53D-05S5L-RP0 |
| MVP48-53D-05S5P-LS0 | 53.7 | 1"15T | SAE B2B | MVP48-53D-05S5P-RP0 |
| MVP60-84D-05S5L-LS0 | 84.7 | 1" 15T | SAE B2B | MVP60-84D-05S5L-RP0 |
| MVP60-84D-06S8L-LS0 | 84.7 | 1-1/4"14T | SAE C4B | MVP60-84D-06S8L-RP0 |
| MVP60-84D-06S8P-LS0 | 84.7 | 1-1/4"14T | SAE C4B | MVP60-84D-06S8P-RP0 |
| Load Sense+Anc.Pump Mt. Part No. | Disp cc/rev | Input Shaft | Aux Mount | Torque Control Single Part No. |
| MVP30-34D-04S5L-LS0-5 | 34.8 | 7/8"13T | Kappa(B2B) | MVP30-34D-04S5L-RN0 |
| MVP48-53D-05S5L-LS0-5 | 53.7 | 1"15T | SAE B2B | MVP48-53D-05S5L-RN0 |
| MVP60-84D-06S8L-LS0-5 | 84.7 | 1-1/4"14T | SAE B2B | MVP60-84D-06S8L-RN0 |
| | | | | MVP48-53D-05S5P-RN0 |
| | | | | MVP60-84D-06S8P-RN0 |

The range above defines CW rotation, for CCW rotation replace the "D" in the part number with an "S".

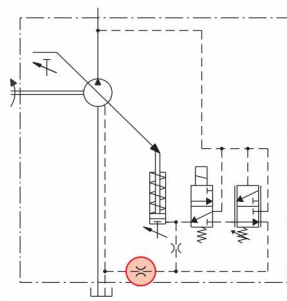
Shaft options: MVP30 & 48 = 7/8" keyed (32), MVP60 = 1-1/4"keyed (34)

NB: Pump casing must be filled with fluid prior to installation.

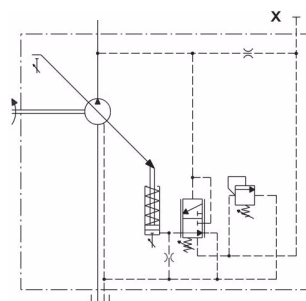
Filtration: To ensure optimal performance and the maximum life of the pump the hydraulic fluid must be maintained at a contamination level below ISO 18/16/13 by using a filter at 10mu & Bx>75



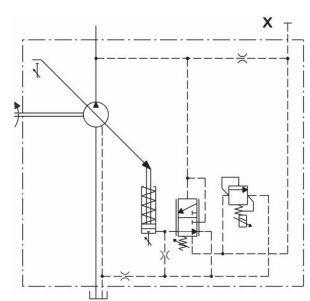
RP0 Press. Comp.



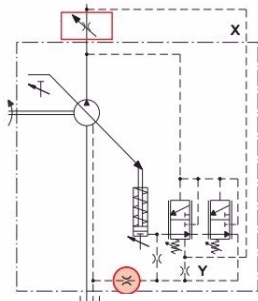
UNA Press. Comp. + Unloading Valve



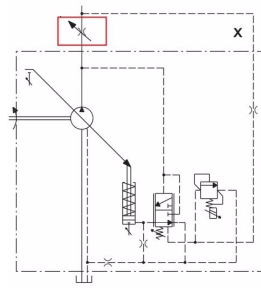
RP1 Dual-Remote Press.Comp.



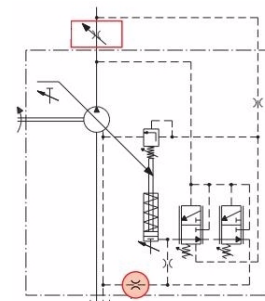
PEC Electro-Prop. Press.Comp.



LS0 Load Sense



PEC-LS2 Electro-Prop Press.Comp + Load Sense



RN0 Torque Control

The above circuit options cover the regular options in common use however the MVP range has many circuit option alternatives. Contact your nearest Southcott branch for further details.