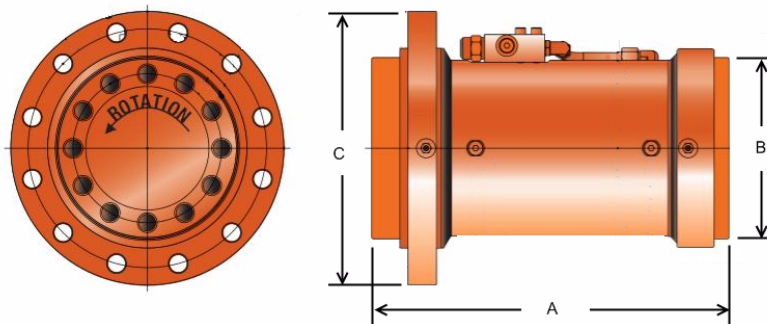


L30 Series - Flange Mounted Models - Heavy Duty 180° and 360° Rotation



The L30 Series is our heavy duty helical hydraulic actuator and is suitable for harsh environments. Designed for applications that require ultra high bearing capacity, the L30 Series features foot or flange mount with flange output. Helac's helical sliding spline technology is not self-locking and provides high shock resistance and high holding torque for demanding applications. Functioning as a rotating device, mounting bracket and load bearing structure, the L30 Series eliminates the need for external bearing systems, brakes or locking devices. Nine standard sizes with torque outputs up to 380,000 in/lbs at 3000 psi (43,000 Nm at 210 bar) are available.

NB: Custom rotation limits available on request

| Description | Units | Size | | | | | | | | |
|-----------------------------|--------|--------|--------|--------|--------|--------|--------|---------|---------|---------|
| | | 17 | 25 | 42 | 65 | 95 | 125 | 165 | 215 | 380* |
| Drive Torque @ 210 bar | in/lbs | 17000 | 25000 | 42000 | 65000 | 95000 | 125000 | 165000 | 215000 | 380000 |
| | Nm | 1900 | 2800 | 4700 | 7900 | 11000 | 14000 | 19000 | 24000 | 43000 |
| Holding Torque | in/lbs | 43600 | 60400 | 103000 | 162000 | 232000 | 306000 | 404000 | 520000 | 936000 |
| | Nm | 4900 | 6800 | 12000 | 18000 | 26000 | 35000 | 46000 | 58000 | 110000 |
| Max.Moment Cap. Straddle | in/lbs | 119000 | 150000 | 273000 | 423000 | 665000 | 875000 | 1155000 | 1505000 | 1505000 |
| | Nm | 13400 | 16900 | 30800 | 47800 | 75100 | 98900 | 130000 | 170000 | 170000 |
| Max. Moment Cap. Cantilever | | 45900 | 62500 | 105000 | 162500 | 261250 | 343750 | 495000 | 645000 | 570000 |
| | | 5200 | 7100 | 11900 | 18400 | 29500 | 38800 | 55900 | 72900 | 64400 |
| Max. Radial Force | kg | 1800 | 2300 | 3600 | 5000 | 6800 | 8200 | 10000 | 12000 | 12000 |
| Max. Axial thrust | kg | 1400 | 1800 | 2700 | 3600 | 4500 | 5900 | 6800 | 8200 | 8200 |
| Displacement 180° | cc | 488 | 696 | 1180 | 1870 | 2680 | 3540 | 4660 | 6000 | 10200 |
| Displacement 360° | cc | 977 | 1390 | 2370 | 3740 | 5360 | 7080 | 9320 | 1200 | - |
| Approx. Wt 180° | kg | 35 | 48 | 74 | 110 | 160 | 220 | 280 | 360 | 480 |
| Approx. Wt 360° | kg | 47 | 64 | 99 | 140 | 200 | 290 | 370 | 480 | - |
| Dim. A 180° | mm | 298 | 323 | 365 | 413 | 475 | 524 | 551 | 600 | 906 |
| Dim. A 360° | mm | 427 | 470 | 538 | 615 | 705 | 776 | 836 | 906 | - |
| Dim. B | mm | 139 | 155 | 183 | 209 | 234 | 263 | 288 | 310 | 310 |
| Dim. C | mm | 200 | 235 | 280 | 315 | 355 | 396 | 442 | 475 | 475 |

L30 Series - Flange Mounted Models - Heavy Duty 180° and 360° Rotation Models

Cantilever Mount - S1 Option

The load is bolt mounted to the shaft flange and is supported at only one end of the shaft. Cantilever mounting is never recommended for aerial work platforms or other critical and safety related applications. The S1 option is designed for cantilever mount loading.

Straddle Mount - S2 Option

The load is supported at both ends of the shaft. The upper portion of the bracket is bolted to the shaft flange, the lower portion is bolted to the endcap flange. The S2 option is designed for straddle mount loading.

| Part No. (180°models) | Torque in/lbs 210 bar | Degrees Rotation |
|--------------------------|-----------------------------|---------------------|
| L30-17-M-FF-180-S1OH | 17000 | 180 |
| L30-25-M-FF-180-S1OH | 25000 | 180 |
| L30-42-M-FF-180-S1OH | 42000 | 180 |
| L30-65-M-FF-180-S1OH | 65000 | 180 |
| L30-95-M-FF-180-S1OH | 95000 | 180 |
| L30-125-M-FF-180-S1OH | 125000 | 180 |
| L30-165-M-FF-180-S1OH | 165000 | 180 |
| L30-215-M-FF-180-S1OH | 215000 | 180 |
| L30-380-M-FF-210-S1OH | 215000 | 180 |
| 360° models | | |
| L30-17-M-FF-360-S1OH | 17000 | 360 |
| L30-25-M-FF-360-S1OH | 25000 | 360 |
| L30-42-M-FF-360-S1OH | 42000 | 360 |
| L30-65-M-FF-360-S1OH | 65000 | 360 |
| L30-95-M-FF-360-S1OH | 95000 | 360 |
| L30-125-M-FF-360-S1OH | 125000 | 360 |
| L30-165-M-FF-360-S1OH | 165000 | 360 |
| L30-215-M-FF-360-S1OH | 215000 | 360 |

Typical Model Code

L30 - 17 - E - FT - 180/120 - S1 - C - H

1
2
3
4
5
6
7
8
9

- | | |
|---|--|
| <p>1 L30 Actuator Series</p> <p>2 Torque Output (in-lbs x 1000) 17 25 42 65 95 125 165 215 380</p> <p>3 Measurement System E English System M Metric System S Special Custom Design</p> <p>4 Housing Configuration FT Foot Mount FF Front Flange</p> <p>5 Standard Rotation 180 180 Degrees 360 360 Degrees*</p> | <p>6 Special Rotations (Standard design with internal stop tube to limit rotation - indicates final rotation)</p> <p>7 Shaft Configuration S1 Cantilever Mounted Shaft Option S2 Straddle Mounted Shaft Option</p> <p>8 Valve Options C With Counterbalance Valve O Without Counterbalance Valve</p> <p>9 Seals H Standard Seals & Bearings S Special Seals & Bearings</p> |
|---|--|

* Available in select models only.