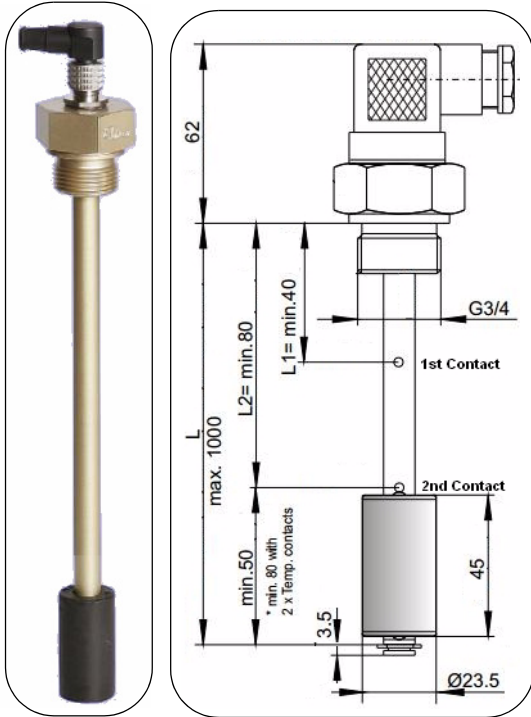


## Buhler Reservoir Level & Temperature Probes

The Buhler Level and Temperature Probes are used to monitor the oil level and the operating temperature of a hydraulic oil reservoir. They have a 3/4"BSPP connection thread for easy fitment. They offer up to four outputs in a compact design with small dimensions, a reliable float system and a housing made of brass.



Part No.	Level Switches	Temp. Switch	Dim. L
M-MS-M3/280-1K	1	-	280
M-MS-M3/280-2K	2	-	280
M-MS-M3/280-1K-80NC	1	N/C	280
M-MS-M3/280-1K-80NO	1	N/O	280
M-MS-M3/370-1K	1	-	370
M-MS-M3/370-2K	2	-	370
M-MS-M3/370-1K-80NC	1	N/C	370
M-MS-M3/370-1K-80NO	1	N/O	370
M-MS-M3/500-1K	1	-	500
M-MS-M3/500-2K	2	-	500
M-MS-M3/500-1K-80NC	1	N/C	500
M-MS-M3/500-1K-80NO	1	N/O	500

**NB:**The above are our standard range, however probes up to 1000mm long can be supplied upon special request.

## MAGNETIC PLUGS



Part No.	Thread BSPP
36.0509	1/4"
36.0506	3/8"
36.0508	1/2"
36.0512	3/4"
36.0520	1"

## GEARBOX BREATHERS



Part No.	Thread BSPP
130300020	1/8"
130300021	1/4"
130300022	3/8"
130300023	1/2"
130300002	3/4"
130300016	1"
130300037	1-1/4"