

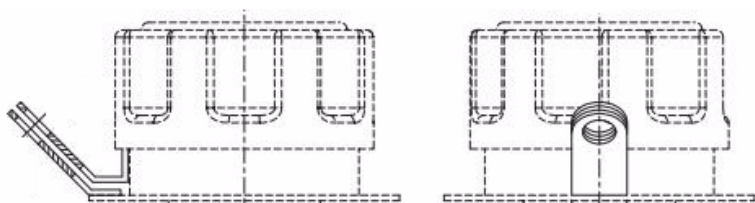
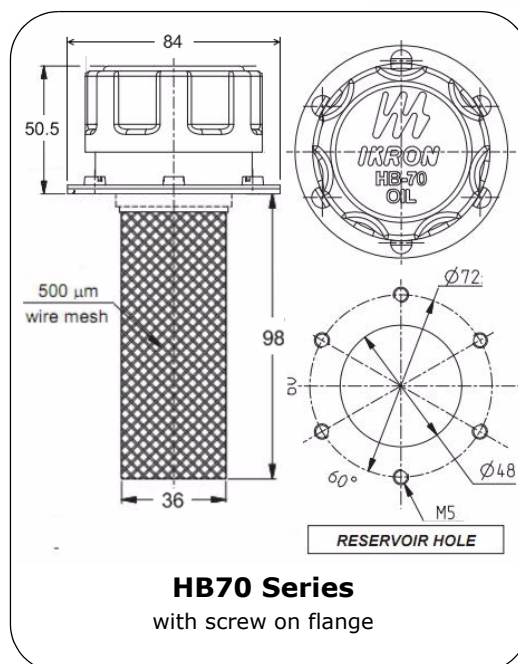
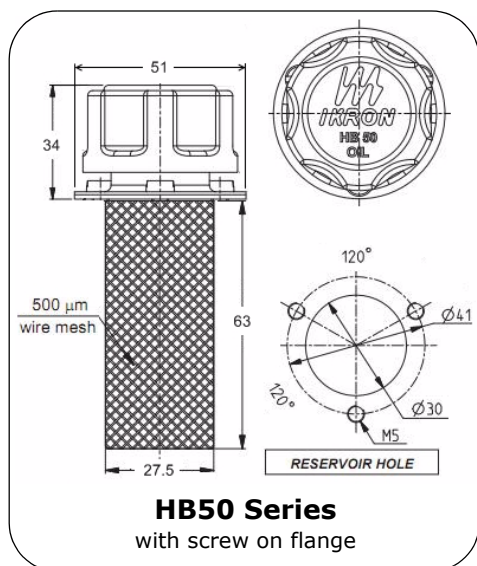
Filler - Breather Caps

Filler Breather Caps are used for air filtration and filling the reservoir.

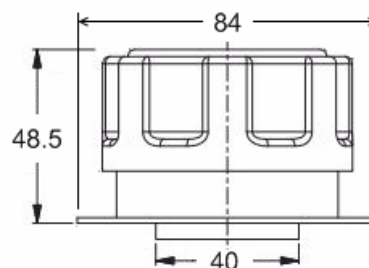
The cap cover is made of chromium plated steel while all other steel components are zinc plated.

The tank connection can be made with flanges and screws, weld on flanges or with BSPP male threads.

The breathers are fitted with a 40µm filter, 10µm available on request.

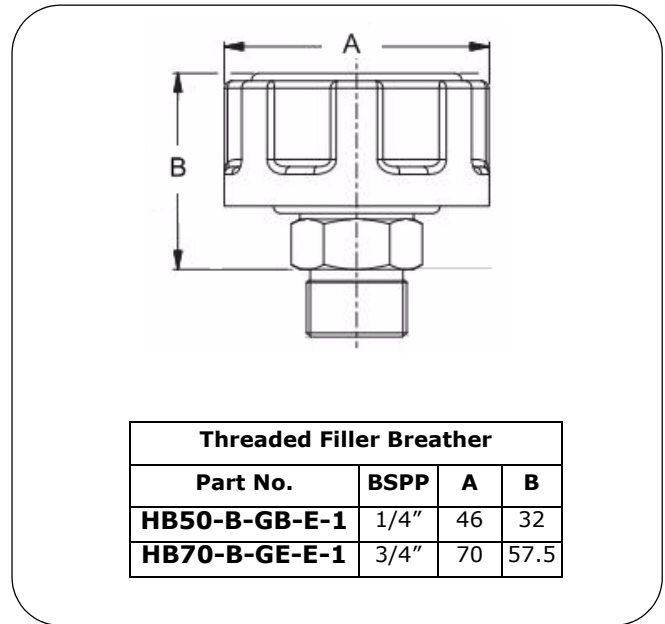
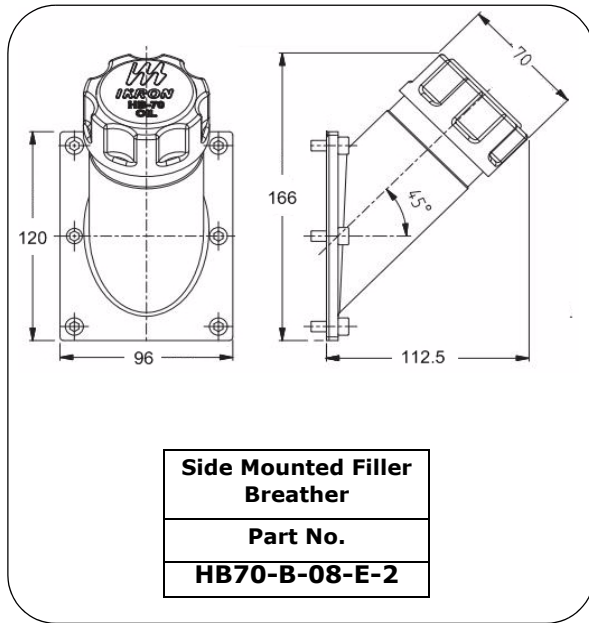


HB70 Series
with lockable feature



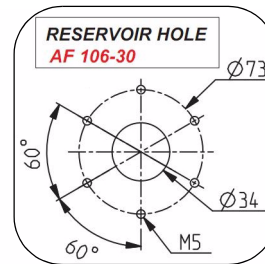
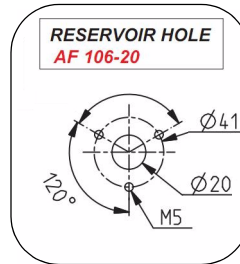
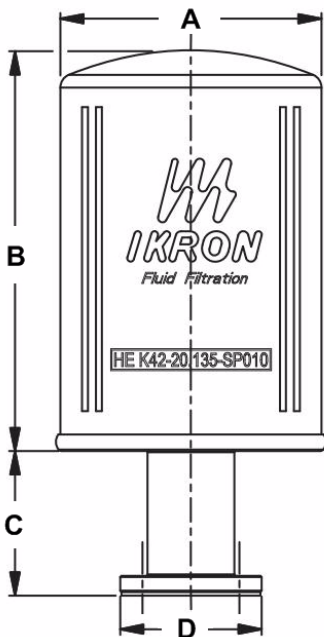
HB70 Series
with weld on flange

Part No.	Rated Max. l/min.	Mounting	Added Feature
HB50-B-05-G-2	285	Flange c/w 3 screws	-
HB70-B-05-G-2	480	Flange c/w 6 screws	-
HB70-B-05-G-3	480	Flange c/w 6 screws	Lockable
HB70-D-05-G-2	480	Flange c/w 6 screws	Pressurised 0.4 bar
HB70-D-05-G-3	480	Flange c/w 6 screws	Pressurised 0.4 bar+Lockable
HB70-B-10-G-1	480	Flange weld on	-



AF106 Series Air Breathers

These air breathers are strongly recommended for hydraulic systems with high air exchange and/or very polluted environments. Tank connection is via a flange and screws



Complete Filter Part No.	Air Flow l/min	Dimensions			
		A	B	C	D
AF106-20.135-SP010-V	1500	96	148	54	52
AF106-30.155-SP010-V	2700	126	180	54	83

Element Part No.
HEK42-20.135-SP010
HEK42-30.155-SP010

PORT BREATHERS

Sintered Bronze
Suitable for use in double acting cylinders when used in a single acting application.



Part No.	µm	Thread
2941-1/8BP	80	1/8"BSPP
2941-1/4BP	80	1/4"BSPP
2941-3/8BP	80	3/8"BSPP
2941-1/2BP	80	1/2"BSPP
2941-9/16UN	80	9/16"UNO
2941-3/4UN	80	3/4"UNO
2941-3/4UN90	80	3/4"UNO
2941-7/8UN	80	7/8"UNO