

SPIN-ON FILTERS HF620 series

RETURN LINE FILTERS (bypass set 1.7bar)

SUCTION LINE FILTERS (bypass set 0.2bar)

Max. Working Pressure: 12bar

Line Mount Filters Complete	Ports BSP	Type	Micron μm	Beta Rating	eff	Nom Flow Lt./Min 30 CST	
	HF620-20.135-FG010B17	3/4"	Return	10	$\beta_{10} \geq 200$	99.5%	65
	HF620-20.135-SP010B17	3/4"		10	$\beta_{10} \geq 2$	50%	65
	HF620-20.135-SP025B17	3/4"	Suction	25	$\beta_{25} \geq 2$	50%	75
	HF620-20.135-SP025B02	3/4"		25	$\beta_{25} \geq 2$	50%	35
	HF620-20.180-FG010B17	3/4"	Return	10	$\beta_{10} \geq 200$	99.5%	65
	HF620-20.180-SP010B17	3/4"		10	$\beta_{10} \geq 2$	50%	75
	HF620-20.180-SP025B17	3/4"	Suction	25	$\beta_{25} \geq 2$	50%	80
	HF620-20.180-SP025B02	3/4"		25	$\beta_{25} \geq 2$	50%	40
	HF620-30.155-FG010B17	1-1/4"	Return	10	$\beta_{10} \geq 200$	99.5%	125
	HF620-30.155-SP010B17	1-1/4"		10	$\beta_{10} \geq 2$	50%	165
	HF620-30.155-SP025B17	1-1/4"	Suction	25	$\beta_{25} \geq 2$	50%	195
	HF620-30.155-SP010B02	1-1/4"		10	$\beta_{10} \geq 2$	50%	75
	HF620-30.155-SP025B02	1-1/4"	25	$\beta_{25} \geq 2$	50%	95	
	HF620-30.210-FG010B17	1-1/4"	Return	10	$\beta_{10} \geq 200$	99.5%	145
	HF620-30.210-SP010B17	1-1/4"		10	$\beta_{10} \geq 2$	50%	180
	HF620-30.210-SP025B17	1-1/4"	Suction	25	$\beta_{25} \geq 2$	50%	200
	HF620-30.210-SP010B02	1-1/4"		10	$\beta_{10} \geq 2$	50%	80
	HF620-30.210-SP025B02	1-1/4"	25	$\beta_{25} \geq 2$	50%	100	
	HF620-40.155-FG010B17	1-1/2"	Return	10	$\beta_{10} \geq 200$	99.5%	170
	HF620-40.155-SP010B17	1-1/2"		10	$\beta_{10} \geq 2$	50%	230
	HF620-40.155-SP025B17	1-1/2"	Suction	25	$\beta_{25} \geq 2$	50%	300
	HF620-40.155-SP025B02	1-1/2"		25	$\beta_{25} \geq 2$	50%	140
	HF620-40.210-FG010B17	1-1/2"	Return	10	$\beta_{10} \geq 200$	99.5%	190
	HF620-40.210-SP010B17	1-1/2"		10	$\beta_{10} \geq 2$	50%	270
	HF620-40.210-SP025B17	1-1/2"	Suction	25	$\beta_{25} \geq 2$	50%	310
	HF620-40.210-SP025B02	1-1/2"		25	$\beta_{25} \geq 2$	50%	150
	HF620-50.155-FG010B17	1-1/2"	Return	10	$\beta_{10} \geq 200$	99.5%	170
	HF620-50.155-SP010B17	1-1/2"		10	$\beta_{10} \geq 2$	50%	230
	HF620-50.155-SP025B17	1-1/2"	Suction	25	$\beta_{25} \geq 2$	50%	300
	HF620-50.155-SP025B02	1-1/2"		25	$\beta_{25} \geq 2$	50%	140
	HF620-50.210-FG010B17	1-1/2"	Return	10	$\beta_{10} \geq 200$	99.5%	190
	HF620-50.210-SP010B17	1-1/2"		10	$\beta_{10} \geq 2$	50%	270
	HF620-50.210-SP025B17	1-1/2"	Suction	25	$\beta_{25} \geq 2$	50%	310
	HF620-50.210-SP025B02	1-1/2"		25	$\beta_{25} \geq 2$	50%	150

SELECTION GUIDE:

Choose a Filter having 2.25 times Pump flow rate.

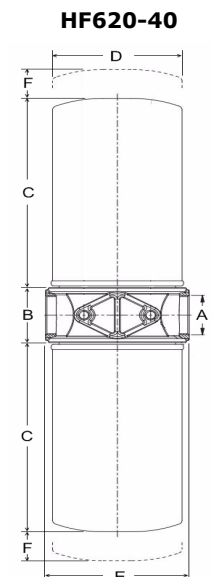
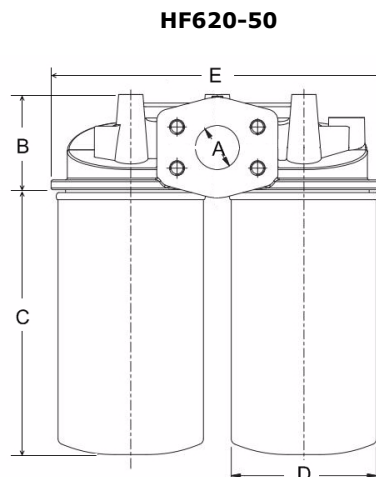
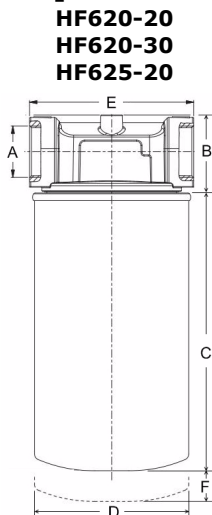
Replacement Elements to suit HF620 Range



HF620 Series - Max. Working Pressure 12bar

Part No.	Material	Micron μm	Beta Rating	Eff %
HEK45-20.135-FG010	Micro-Fibre Glass	10	$\beta_{10} \geq 200$	99.5%
HEK45-20.135-FG025	Micro-Fibre Glass	25	$\beta_{25} \geq 200$	99.5%
HEK45-20.135-SP010	Cellulose	10	$\beta_{10} \geq 2$	50%
HEK45-20.135-SP025	Cellulose	25	$\beta_{25} \geq 2$	50%
HEK45-20.135-MS090	Steel Mesh	90	$\beta_{90} \geq 75$	98.7%
HEK45-20.180-FG010	Micro-Fibre Glass	10	$\beta_{10} \geq 200$	99.5%
HEK45-20.180-FG025	Micro-Fibre Glass	25	$\beta_{25} \geq 200$	99.5%
HEK45-20.180-SP010	Cellulose	10	$\beta_{10} \geq 2$	50%
HEK45-20.180-SP025	Cellulose	25	$\beta_{25} \geq 2$	50%
HEK45-20.180-MS090	Steel Mesh	90	$\beta_{90} \geq 75$	98.7%
HEK45-30.155-FG010	Micro-Fibre Glass	10	$\beta_{10} \geq 200$	99.5%
HEK45-30.155-FG025	Micro-Fibre Glass	25	$\beta_{25} \geq 200$	99.5%
HEK45-30.155-SP010	Cellulose	10	$\beta_{10} \geq 2$	50%
HEK45-30.155-SP025	Cellulose	25	$\beta_{25} \geq 2$	50%
HEK45-30.155-MS090	Steel Mesh	90	$\beta_{90} \geq 75$	98.7%
HEK45-30.210-FG010	Micro-Fibre Glass	10	$\beta_{10} \geq 200$	99.5%
HEK45-30.210-FG025	Micro-Fibre Glass	25	$\beta_{25} \geq 200$	99.5%
HEK45-30.210-SP010	Cellulose	10	$\beta_{10} \geq 2$	50%
HEK45-30.210-SP025	Cellulose	25	$\beta_{25} \geq 2$	50%
HEK45-30.210-MS090	Steel Mesh	90	$\beta_{90} \geq 75$	98.7%

Spin-On Filters Dimensional Data



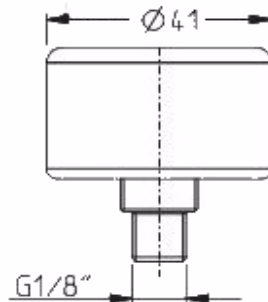
Line Mount Filter	Dimensions					
	A(BSP)	B	C	D	E	F
HF620-20.135	3/4"	48.5	147	96	96	19.5
HF620-20.180	3/4"	48.5	209	96	96	19.5
HF620-30.155	1-1/4"	64	179	126	134	25
HF620-30.210	1-1/4"	64	227	126	134	25
HF620-40.155	1-1/2"	67	181	126	140	35
HF620-40.210	1-1/2"	67	229	126	140	35
HF620-50.155	1-1/2"	85	181	126	288	35
HF620-50.210	1-1/2"	85	229	126	288	35

Spin-On Filter Heads Only

Line Mount Filter Heads Only	Ports BSPP	Type	Bypass bar	M.W.P bar
HF620-20-B17-GE	3/4"	Return	1.7	12
HF620-30-B17-GG	1-1/4"		1.7	12
HF620-40-B17-GH	1-1/2"		1.7	12
HF620-50-B17-GH	1-1/2"		1.7	12
HF620-20-B02-GE	3/4"	Suction	0.2	12
HF620-30-B02-GG	1-1/4"		0.2	12
HF620-40-B02-GH	1-1/2"		0.2	12
HF620-50-B02-GH	1-1/2"		0.2	12
HF625-20-B17-GE	3/4"	Return	1.7	25

Spin-On Filter Condition Indicators

To suit HF620 & HF625 Series



Gauge

Part No.	Type	Position
HI13-M-GA-00	Gauge	Suction
HI12-M-GA-10		Return