

## HF745 Series Pressure Filters

These filters are connected to the pressure line to protect the system's components against contaminant particles. The standard filters are fitted with a bypass valve calibrated at 6 bar.

For applications which need maximum protection of the system, such as servo and proportional controls, the filters are equipped with highly resistant filtering elements ("HC version" - high collapse pressure) and are not fitted with a bypass.

**Maximum working pressure: 280 bar**  
**Filter elements rated Beta 200 (99.5% efficiency)**



### 3 Micron Filters

Part No. Bx > 200 - 3µm	Flow L/Min	Port BSPP
HF745-20.080-FG003-GD	25	1/2"
HF745-20.080-FG003-GE	25	3/4"
HF745-20.106-FG003-GD	35	1/2"
HF745-20.106-FG003-GE	35	3/4"
HF745-20.203-FG003-GD	60	1/2"
HF745-20.203-FG003-GE	65	3/4"
HF745-30.115-FG003-GE	60	3/4"
HF745-30.115-FG003-GF	60	1"
HF745-30.223-FG003-GE	105	3/4"
HF745-30.223-FG003-GF	110	1"

### 6 Micron Filters

Part No. Bx > 200 - 6µm	Flow L/Min	Port BSPP
HF745-20.080-FG006-GD	30	1/2"
HF745-20.080-FG006-GE	30	3/4"
HF745-20.106-FG006-GD	40	1/2"
HF745-20.106-FG006-GE	40	3/4"
HF745-20.203-FG006-GD	65	1/2"
HF745-20.203-FG006-GE	70	3/4"
HF745-30.115-FG006-GE	65	3/4"
HF745-30.115-FG006-GF	70	1"
HF745-30.223-FG006-GE	120	3/4"
HF745-30.223-FG006-GF	125	1"

### 10 Micron Filters

Part No. Bx > 200 - 10µm	Flow L/Min	Port BSPP
HF745-20.080-FG010-GD	35	1/2"
HF745-20.080-FG010-GE	35	3/4"
HF745-20.106-FG010-GD	50	1/2"
HF745-20.106-FG010-GE	50	3/4"
HF745-20.203-FG010-GD	75	1/2"
HF745-20.203-FG010-GE	80	3/4"
HF745-30.115-FG010-GE	80	3/4"
HF745-30.115-FG010-GF	85	1"
HF745-30.223-FG010-GE	135	3/4"
HF745-30.223-FG010-GF	145	1"

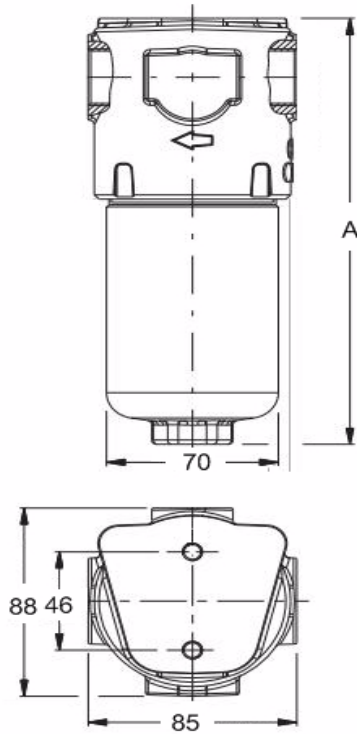
### 25 Micron Filters

Part No. Bx > 200 - 25µm	Flow L/Min	Port BSPP
HF745-20.080-FG025-GD	45	1/2"
HF745-20.080-FG025-GE	45	3/4"
HF745-20.106-FG025-GD	60	1/2"
HF745-20.106-FG025-GE	60	3/4"
HF745-20.203-FG025-GD	85	1/2"
HF745-20.203-FG025-GE	95	3/4"
HF745-30.115-FG025-GE	100	3/4"
HF745-30.115-FG025-GF	105	1"
HF745-30.223-FG025-GE	155	3/4"
HF745-30.223-FG025-GF	170	1"

#### SELECTION GUIDE:

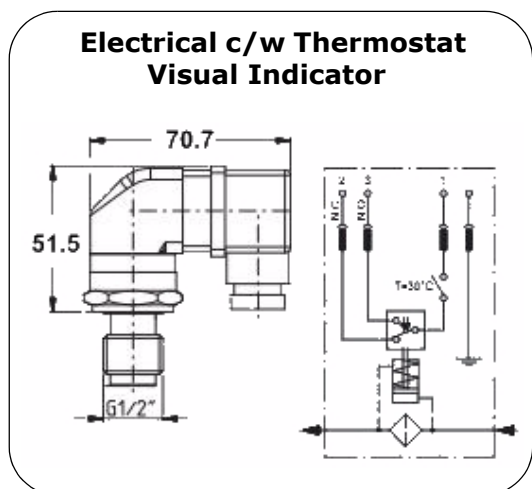
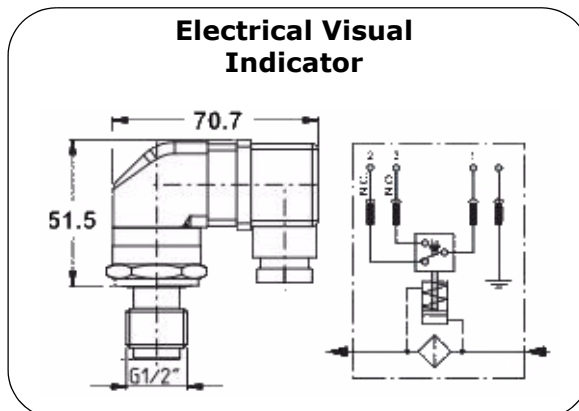
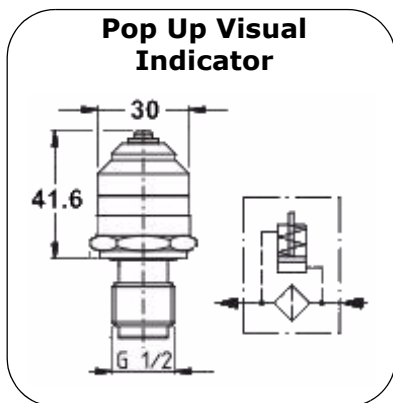
Choose a filter having 2 times pump flow rate.

**Complete Filter Dimensions**



Part No.	Dim. A
HF745-20.080	173
HF745-20.106	199
HF745-20.203	296
HF745-30.115	213
HF745-30.223	321

## HF745 & HF760 Series Pressure Filter Indicators



Part No.	Type
HI25-I11-T50-GD-B-SS	Pop-Up
HI25-I12-B50-GD-B-SS	Electrical
HI25-I13-B50-GD-B-SS	Electrical c/w Thermostat

## HF705 Series Pressure Filters

These inline pressure filters are ideal for protecting pilot lines and load sense lines. They have a sintered bronze element and can be utilised for bidirectional flow

**Maximum working pressure: 350 bar**

Filter Part No.	Flow l/min	Port BSPP	µm
HF705-10.040-SB010-GD	15	1/2"	10
HF705-10.040-SB025-GD	35	1/2"	25
HF705-10.040-SB040-GD	55	1/2"	40

Element Part No.
HEK80-10.040-SB010
HEK80-10.040-SB025
HEK80-10.040-SB040

