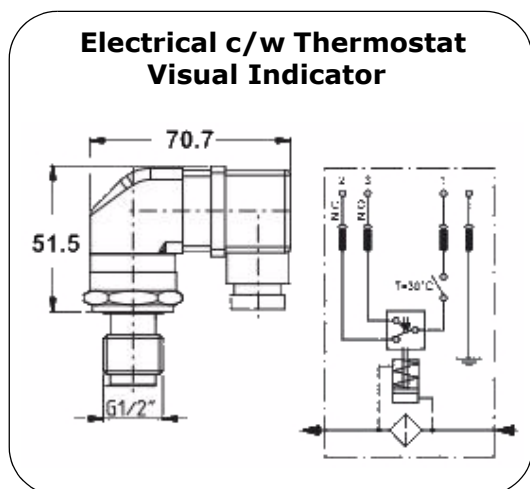
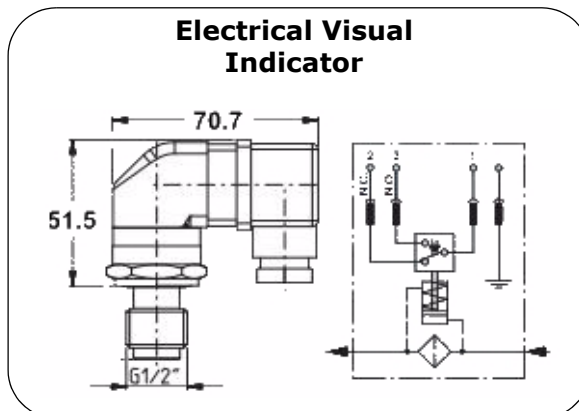
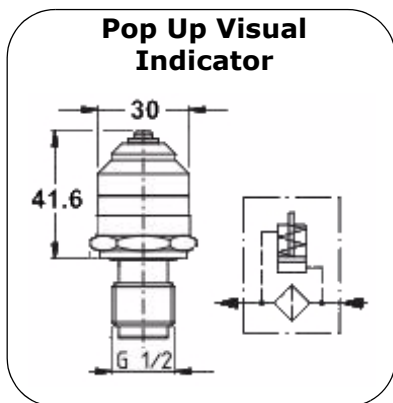


HF745 & HF760 Series Pressure Filter Indicators



Part No.	Type
HI25-I11-T50-GD-B-SS	Pop-Up
HI25-I12-B50-GD-B-SS	Electrical
HI25-I13-B50-GD-B-SS	Electrical c/w Thermostat

HF705 Series Pressure Filters

These inline pressure filters are ideal for protecting pilot lines and load sense lines. They have a sintered bronze element and can be utilised for bidirectional flow

Maximum working pressure: 350 bar

Filter Part No.	Flow l/min	Port BSPP	µm
HF705-10.040-SB010-GD	15	1/2"	10
HF705-10.040-SB025-GD	35	1/2"	25
HF705-10.040-SB040-GD	55	1/2"	40

Element Part No.
HEK80-10.040-SB010
HEK80-10.040-SB025
HEK80-10.040-SB040

