

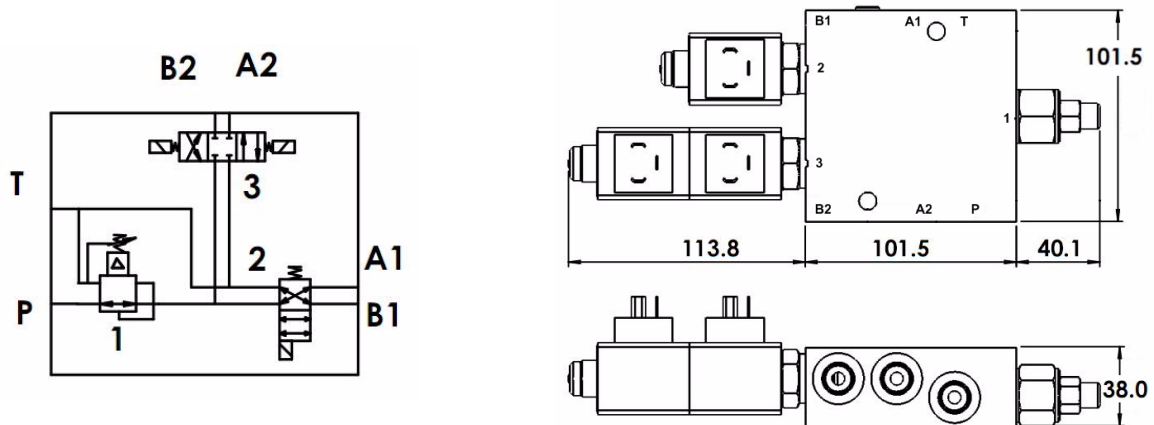
QUICK HITCH VALVES



PTQH-111B Series

This **Quick Hitch Valve** has a pressure reducing valve on the input line to control the output pressure. It is also equipped with a two position solenoid valve to operate the bucket hitch and a second 3 position solenoid valve to operate a bucket tilt mechanism. All these functions are contained in one neat, compact, easy to mount steel manifold system.

NB: This model requires a dual pilot operated check valve on the A2 & B2 ports

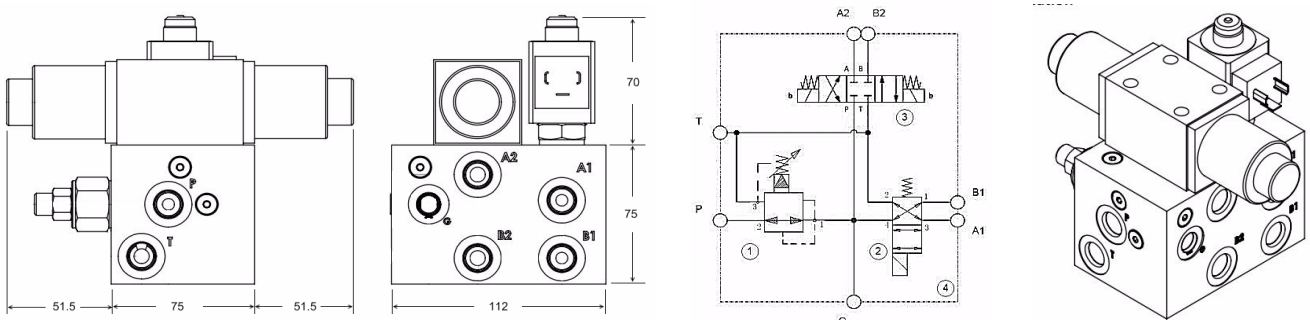


Part No.	Port Size	Max. Press	Description
PTQH-0111B-12DC	9/16"UNO	350 BAR	Quick Hitch Valve
PTQH-0111B-24DC	9/16"UNO		Quick Hitch Valve

Coils & connectors included in the above price.

PTQH-MXA023C2 Series

This **Quick Hitch Valve** has a pressure reducing valve on the input line to control the output pressure. It is also equipped with a two position solenoid valve to operate the bucket hitch and a second 3 position solenoid system. All these functions are contained in one neat, compact, easy to mount manifold system.



Part No.	Port Size	Max. Press.	Description
PTQH-DHE0711-12DC	9/16"UNO	350 BAR	Quick Hitch Valve
PTQH-DHE0711-24DC	9/16"UNO		Quick Hitch Valve

Coils & connectors included in the above price.