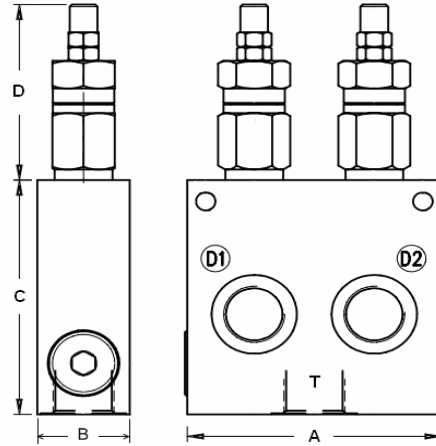
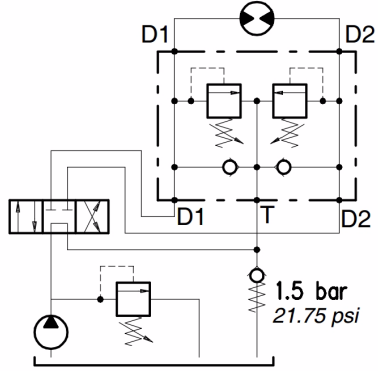


LINE MOUNT VALVES

DUAL CROSS LINE RELIEF VALVES WITH ANTICAVITATION

Direct acting poppet type - Aluminium Body - Steel Bodied units available on request - add suffix AC

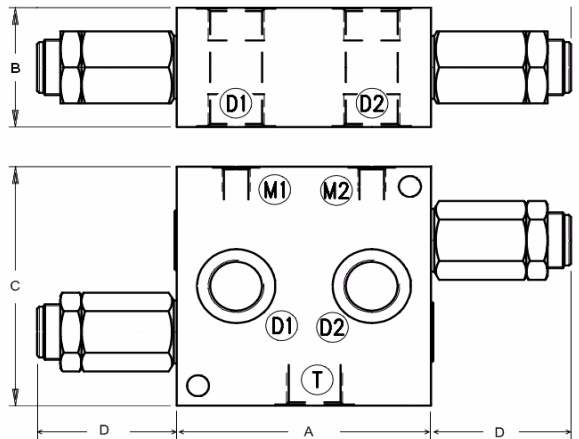
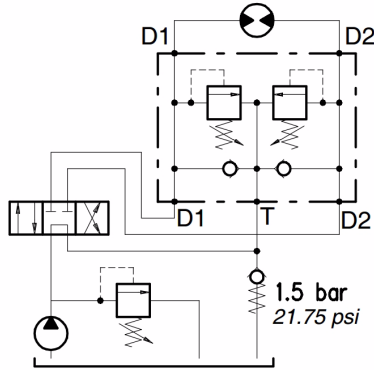


Part No. (with TS Spring option)	Ports BSPP	M.W.P. BAR Alum	M.W.P. BAR Steel	Dim. (mm)				Nom Flow
				A	B	C	D	L/min
VAIL/VA-12/TS.S	1/2"	200	300	90	40	95	68	35
VAIL/VA-34/TS.S	3/4"			110	40	110	82.5	80

DUAL CROSS LINE RELIEF VALVES WITH ANTICAVITATION

Differential piston type - Aluminium Body - Steel Bodied units available on request - add suffix AC

Spring Range Options	
Code	bar
TS	5-210
TR	50-350



Part No. (with TS Spring option)	Ports BSPP	M.W.P. BAR Alum	M.W.P. BAR Steel	Dim. (mm)				Nom Flow
				A	B	C	D	L/min
VADDL/VA-38/TS.S	3/8"	210	350	90	30	100	52	35
VADDL/VA-12/TS.S	1/2"			100	40	100	57	60
VADDL/VA-34/TS.S	3/4"			120	60	120	66	120
VADDL/VA-100/TS.S	1"			130	70	130	66	180