

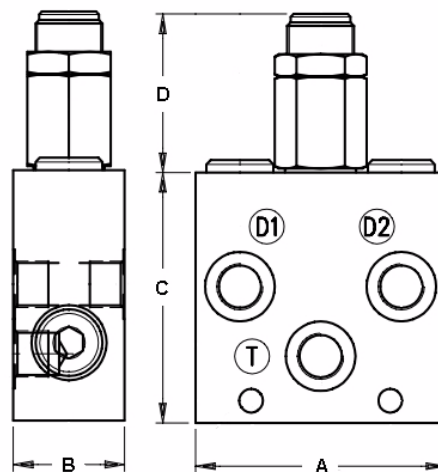
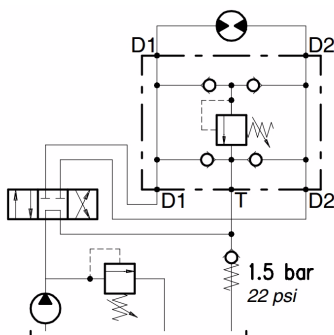
ANTI-SHOCK VALVE

Aluminium body - Steel bodied units available on request - add suffix AC

Antishock valve with anti-cavitation and single pressure adjustment differential piston type relief.

This valve allows for pressure relief on the delivery side of the circuit while check valves allow for anti-cavitation

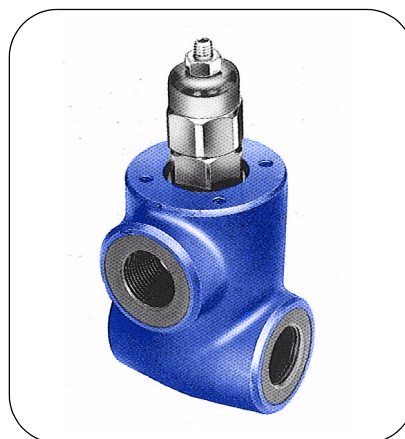
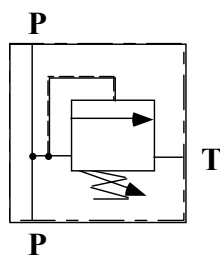
| Spring Range Options | |
|----------------------|--------|
| Code | bar |
| TS | 5-210 |
| TR | 50-350 |



| Part No. (with TS Spring option) | Ports BSPP | M.W.P. BAR Alum | M.W.P. BAR Steel | Dim. (mm) | | | | Nom Flow |
|-------------------------------------|---------------|-----------------------|------------------------|--------------|----|-----|----|-------------|
| | | | | A | B | C | D | L/min |
| VAA/RU/DL-38/TS.S | 3/8" | 210 | 350 | 90 | 40 | 90 | 57 | 35 |
| VAA/RU/DL-12/TS.S | 1/2" | | | 90 | 40 | 90 | 57 | 60 |
| VAA/RU/DL-34/TS.S | 3/4" | | | 110 | 55 | 110 | 66 | 120 |
| VAA/RU/DL-100/TS.S | 1" | | | 140 | 60 | 140 | 66 | 180 |

RELIEF VALVE - Cast Iron Body

PILOT OPERATED STYLE - 3 PORT



| Part No. | PORTS BSPP | FLOW L/MIN | PRESS RANGE BAR |
|------------------|---------------|---------------|--------------------|
| VMPX25/3-G3-BSPP | 1" | 250 | 20-250 |