

LINE MOUNT VALVES

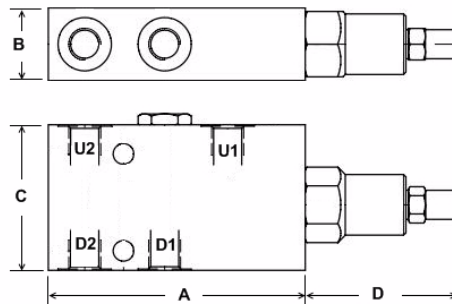
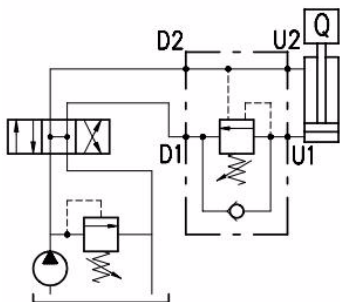
SINGLE COUNTER-BALANCE VALVES

VOSL/SC Series

Aluminium body - Steel bodied units available on request - add suffix AC

This valve controls a moving load preventing it from moving ahead of the pump and locks the load in any position on U1. It also provides static overload and thermal expansion protection when used in combination with an open centre spool valve. This valve permits free flow from D1 to U1 and blocks the flow from U1 to D1 until a pilot pressure generated at D2/U2 is sufficient to pilot the U1 port open.

Spring Range Options	
Code	bar
TS	5-210
TR	50-350



Part No. (with TR spring option)	Ports BSPB	Standard Pilot Ratio	Optional Pilot Ratios	M.W.P. BAR Alum	M.W.P. BAR Steel	Dim. (mm)				Nom Flow L/min
						A	B	C	D	
VOSL/SC-38/TR.S.P4.PG	3/8"	4 : 1	3 : 1	210	350	106	30	60	62.5	40
VOSL/SC-12/TR.S.P7.PG	1/2"	7 : 1	3 : 1			116	35	70	63.5	75
VOSL/SC-34/TR.S.P7.PG	3/4"	7 : 1	3 : 1			136	40	90	63.5	120
VOSL/SC-100/TR.S.P7.P	1"	7 : 1	3 : 1			185	60	100	63.5	180

SINGLE COUNTER-BALANCE VALVES

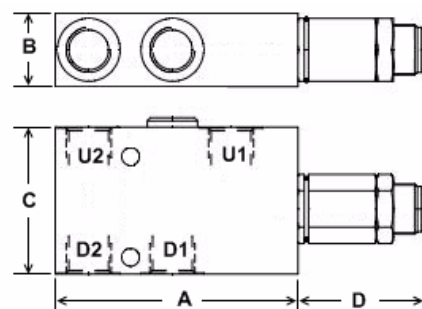
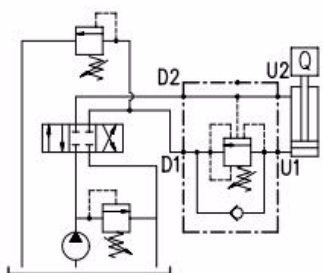
VOSL/SC/CC Series

Aluminium body - Steel bodied units available on request - add suffix AC

This valve controls a moving load preventing it from moving ahead of the pump and locks the load in any position on U1. It permits free flow from D1 to U1 and blocks the flow from U1 to D1 until a pilot pressure generated at D2/U2 is sufficient to pilot the U1 port open.

It is utilised in combination with a closed centre spool valve. It is recommended to fit a port relief in this application.

Spring Range Options	
Code	bar
TS	5-210
TR	50-350



Part No. (with TR spring option)	Ports BSPB	Standard Pilot Ratio	Optional Pilot Ratios	M.W.P. BAR Alum	M.W.P. BAR Steel	Dim. (mm)				Nom Flow L/min
						A	B	C	D	
VOSL/SC/CC-38/TR.S.P4	3/8"	4 : 1	3 : 1	210	350	106	30	60	52	40
VOSL/SC/CC-12/TR.S.P7	1/2"	7 : 1	3 : 1			116	35	70	60	75
VOSL/SC/CC-34/TR.S.P7	3/4"	7 : 1	3 : 1			136	40	90	60	120
VOSL/SC/CC-100/TR.SP7	1"	7 : 1	3 : 1			185	60	100	60	180