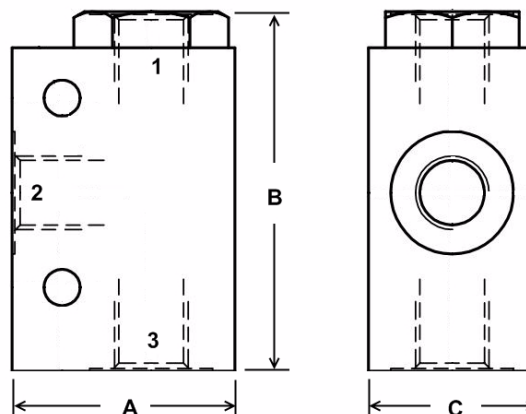
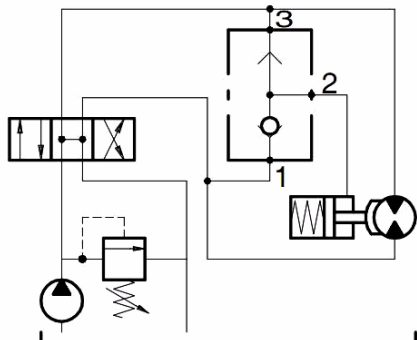


SHUTTLE VALVES

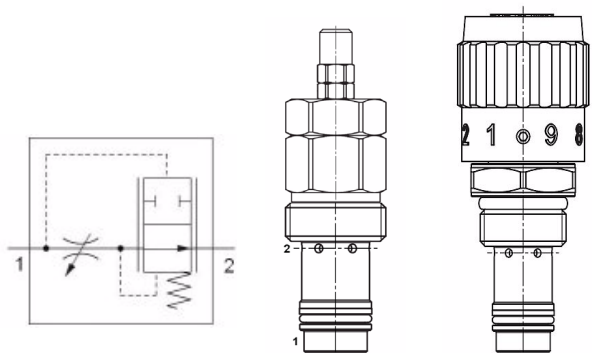
Steel body



| Part No. | Ports BSPP | M.W.P. BAR Steel | Dim. (mm) | | | Nom Flow L/min |
|----------|------------|------------------|-----------|------|----|----------------|
| | | | A | B | C | |
| VT-14 | 1/4" | 350 | 40 | 64.5 | 30 | 20 |
| VT-38 | 3/8" | | 50 | 76.5 | 35 | 35 |
| VT-12 | 1/2" | | 60 | 88 | 42 | 50 |
| VT-34 | 3/4" | | 68 | 98.5 | 50 | 100 |
| VT-100 | 1" | | 82 | 110 | 60 | 150 |

FLOW CONTROL CARTRIDGE VALVE

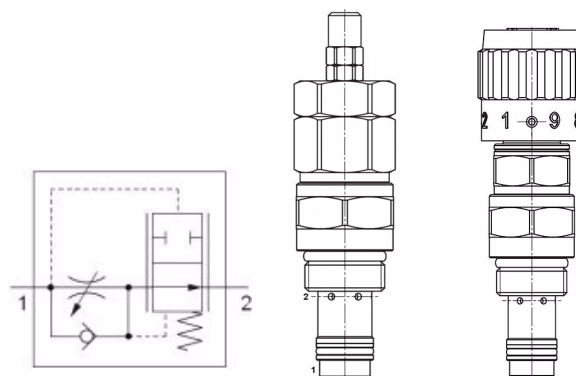
Pressure compensated 2 port



| Flow Control with Free Flow in Reverse | | | |
|--|------|--------|---------|
| Part No. | Flow | Cavity | Control |
| PU08A/AS0B | 15 | 0820-A | screw |
| PU08A/AM0B | 15 | 0820-A | knob |
| PU10A/AS0B | 30 | 1020-A | screw |
| PU10A/AM0B | 30 | 1020-A | knob |
| PU12A/AS0B | 50 | 1220-A | screw |
| PU12A/AM0B | 50 | 1220-A | knob |
| PU16A/AS0B | 90 | 1620-A | screw |
| PU16A/AM0B | 90 | 1620-A | knob |

FLOW CONTROL CARTRIDGE VALVE

Pressure compensated 2 port with reverse free flow



| Flow Control with Free Flow in Reverse | | | |
|--|------|--------|---------|
| Part No. | Flow | Cavity | Control |
| PW08A/AS1B | 10 | 0820-A | screw |
| PW08A/AM1B | 10 | 0820-A | knob |
| PW10A/AS1B | 30 | 1020-A | screw |
| PW10A/AM1B | 30 | 1020-A | knob |
| PW12A/AS1B | 50 | 1220-A | screw |
| PW12A/AM1B | 50 | 1220-A | knob |
| PW16A/AS1B | 90 | 1620-A | screw |
| PW16A/AM1B | 90 | 1620-A | knob |

Please contact a Southcott sales team member for details on the -A cavity variant