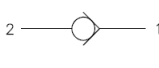
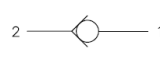
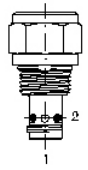
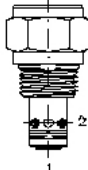


CARTRIDGE VALVES

Check Valves, Pilot Operated Checks, Shuttle Valves

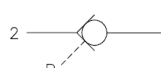
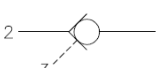
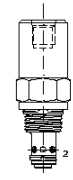
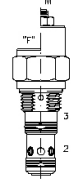
CVFP

CVRP

	Check Valve - Forward Poppet				Check Valve - Reverse Poppet		
	Part No.	Flow (L/m)	Cavity		Part No.	Flow (L/m)	Cavity
	CVFB-04-N-0-020	10	0420		CVRP-08-N-0-005	38	0820
	CVFP-08-N-0-005	38	0820		CVRP-10-N-0-005	68	1020
	CVFP-10-N-0-005	68	1020		CVRP-12-N-0-005	136	1220
	CVFP-12-N-0-005	136	1220		CVRP-16-N-0-005	190	1620
	CVFP-16-N-0-005	190	1620				

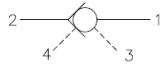
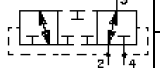
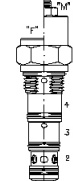
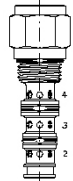

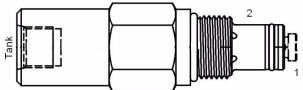

POCX

POCI

	Pilot Operated Check Valve 3:1 Ext. Pilot				Pilot Operated Check Valve 3:1 Internal Pilot		
	Part No.	Flow (L/min)	Cavity		Part No.	Flow (L/min)	Cavity
	POCX-08-N-0-4T-030	38	0820		POCI-08-N-F-0-10	38	0825
	POCX-10-N-0-4T-030	68	1020		POCI-10-N-F-0-10	76	1025
	POCX-12-N-0-4T-030	136	1220		POCI-12-N-F-0-10	136	1225

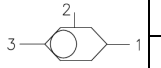
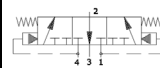
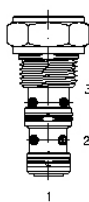
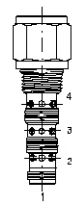
POCV

HOSV

	Pilot Operated Check Valve 3:1 Vented				Hot Oil Shuttle - Springless		
	Part No.	Flow (L/min)	Cavity		Part No.	Flow (L/min)	Cavity
	POCV-10-N-F-0-10	60	1040		 Closed Centre		
	POCV-12-N-F-0-10	132	1240		HOSV-10-N-C-0	60	1040
					 Open Centre		
					HOSV-10-N-O-0	60	1040
				Closed Centre + Relief			
				HOSR-10-N-6T-0-150	60	1020	

BDSV

SDSV

	Shuttle Valves					Brake Shuttle Valve		
	Part No.	Sig	Flow (L/min)	Cavity		Part No.	Flow (L/min)	Cavity
	BDSV-04-N-3-0-00	INT	6	0430		SDSV-08-N-4C-0-100	15	0840
	BDSV-08-N-3-0-00	INT	12	0830				
	BDSV-10-N-3-0-00	INT	23	1030				
	BDSV-10-N-2-0-2B*	EXT	23	1020				
* = Ext. signal								

For line mount bodies to suit the above cartridges refer to section "J". Use the cavity size to select the correct body type then choose the desired port size.