
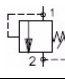
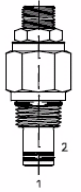
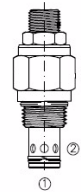


RELIEF VALVES



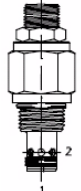
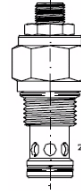
RVPD

RVDI

	Direct Acting - Pilot Type				Direct Acting - Poppet Type		
	Part No.	Flow (L/min)	Cavity		Part No.	Flow (L/min)	Cavity
	RVPD-08-N-S-0-30	7.6	0820		RVDI-10-N-S-0-30	76	1020
	RVPD-10-N-S-0-30	7.6	1020				


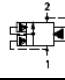
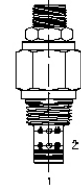
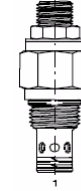
RVPS

RVPP

	Piloted Spool				Piloted Poppet & Reverse		
	Part No.	Flow (L/min)	Cavity		Part No.	Flow (L/min)	Cavity
	RVPS-08-N-S-0-30	58	0820		RVPP-10-N-S-0-30	100	1020
	RVPS-10-N-S-0-30	100	1020		RVPP-12-N-S-0-30	230	1220
	RVPS-12-N-S-0-30	230	1220				

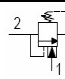
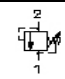
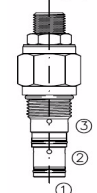
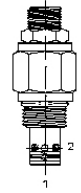
RVBD

RVBS

	Bi-Directional				Breaker - Pilot Op.		
	Part No.	Flow (L/min)	Cavity		Part No.	Flow (L/min)	Cavity
	RVBD-08-N-S-0-30	38	0820		RVBS-10-N-S-0-30	100	1020
	RVBD-10-N-S-0-30	76	1020				
	RVBD-12-N-S-0-30	150	1220				

PUVA

RVDA

	Unloading Relief With Differential				Differential Area		
	Part No.	Flow (L/min)	Cavity		Part No.	Flow (L/min)	Cavity
	PUVA-10-N-S-0-8-40 (80%)	4	1030		RVDA-08-N-S-0-30	38	0820
					RVDA-10-N-S-0-30	76	1020

NB: The above cartridges are available in the following pressure range. Substitute the last 2 numbers.

15 = 50 to 1500 psi (3.5 - 103 Bar)

30 = 100 to 3000 psi (7 - 206 Bar)

50 = 150 to 5000 psi (10 - 345 Bar)

For line mount bodies to suit the above cartridges refer to section "J". Use the cavity size to select the correct body type then choose the desired port size.