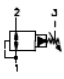
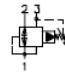
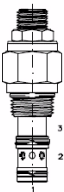
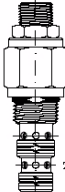


## PRESSURE REDUCING VALVES

PRPS

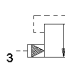
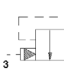
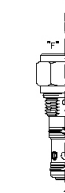

PRRS

	Pressure Reducing				Pressure Reducing / Relieving		
	Part No	Flow (L/min)	Cavity		Part No.	Flow (L/min)	Cavity
	PRPS-10-N-S-0-15	46	1030		PRRS-08-N-S-0-15	23	0830
					PRRS-10-N-S-0-15	64	1030
					PRRS-12-N-S-0-30	91	1230

## COUNTER BALANCE VALVES

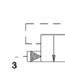
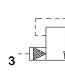
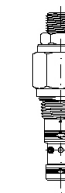
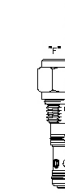
CBPA

CBPS

	Standard 4:1				Sealed Piston 4:1		
	Part No.	Flow (L/min)	Cavity		Part No.	Flow (L/min)	Cavity
	CBPA-08-N-S-0-30	38	0825		CBPS-08-N-S-0-30	38	0825
	CBPA-10-N-S-0-30	76	1025		CBPS-10-N-S-0-30	76	1025
	CBPA-12-N-S-0-30	132	1225		CBPS-12-N-S-0-30	132	1225

CBPG

CBPA-20M (Also available in CBPG-20M & CBPS-20M)

	Vented Piston 4:1				As Standard to suit Sun Cavity 4:1		
	Part No.	Flow (L/min)	Cavity		Part No.	Flow (L/min)	Cavity
	CBPG-08-N-S-0-30	38	0825		CBPA-20M-N-S-0-15	38	T-11A
	CBPG-10-N-S-0-30	76	1025		CBPA-20M-N-S-0-30	38	T-11A
	CBPG-12-N-S-0-30	132	1225		CBPA-20M-N-S-0-50	38	T-11A

**NB:** The above Cartridges available in the following pressure range - substitute the last 2 numbers.

15 = 50 to 1500 psi (3.5 - 103 Bar)

30 = 100 to 3000 psi (7 - 206 Bar)

40 = 600 to 4000 psi (28 - 275 Bar) (Applicable only to size 12 counter-balance valves)

50 = 1500 to 5000 psi (103 - 345 Bar) (NOT applicable to size 12 counter-balance valves)

For line mount bodies to suit the above cartridges refer to section "J". Use the cavity size to select the correct body type then choose the desired port size.