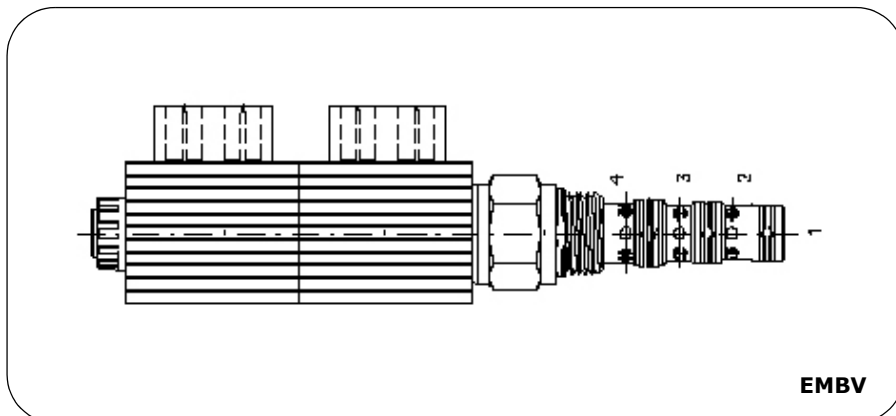




SOLENOID OPERATED DIRECTIONAL CONTROL



4 way, 3 position, spool type, dual coil

Circuit	SOLENOID OPERATED - Directional Control			
	Part No.	Flow (L/min)	Action	Cavity
	EMBV-08-N-3J-0-XXDG	16	PUSH/ PULL	0830
	EMBV-08-N-4J-0-XXDG EMBV-10-N-4J-0-XXDG	16 20		0840 1040
	EMBV-08-N-4K-0-XXDG EMBV-10-N-4K-0-XXDG	16 20		0840 1040
	EMBV-08-N-4L-0-XXDG EMBV-10-N-4L-0-XXDG	16 20		0840 1040
	EMBV-08-N-4M-0-XXDG EMBV-10-N-4M-0-XXDG	16 20		0840 1040

NB: Replace XX in the part number with the voltage ie: 12 OR 24 volt DC

For line mount bodies to suit the above cartridges refer to section "J". Use the cavity size to select the correct body type then choose the desired port size.