

COMPLETE HYDRAULIC SOLUTIONS

# PRODUCT GUIDE



## FLUID CONNECTORS



### SECTION 5 Accessories



Adelaide 08 8228 2411	Sydney 02 8814 2100	Newcastle 02 4964 2123	Melbourne 03 8793 6400	Laverton 03 9371 9000
Brisbane 07 3022 3700	Emerald 07 4988 1800	Mackay 07 4847 8800	Perth 08 6216 4600	Tasmania 03 6427 0908

[www.southcott.com.au](http://www.southcott.com.au)  
SAFETY+QUALITY+RELIABILITY

# Section 5

## Accessories



### QUICK RELEASE COUPLINGS - FASTER

NV	Valve Type Coupling	5.3
ANV	A Series Standard Coupling	5.3
NS	Ball Type Couplings	5.3
PV	Push-Pull	5.4
VV	Screw On Heavy Duty	5.4
PVVM	Screw On	5.4
FFH	Flat-Faced Couplings	5.5
3FFH	Flat-Faced Couplings	5.5
4BD4FH	Flat-Faced Couplings (Skid Steer Loaders)	5.5
3FFV	Flat-Faced Screw Together	5.6
FHV	Flat-Faced Screw Together	5.6
3CFPV	Valve Type Rigid Mount Coupling	5.6
NZ	Interchange with PB3310 Coupling	5.7
DF	Coupling Test Point	5.7

### QUICK RELEASE COUPLINGS - SUNDRIES - FASTER

TM & TF	PVC Dust Plug & Caps to suit NV couplings	5.7
TMV & TFV	Aluminium Dust Plugs & Caps to suit VV couplings	5.7
TMP & TFP	Aluminium Dust Plugs & Caps to suit P couplings	5.7
TM2 & TF2	Dust Covers to suit FFH, 3FFH & 4BD4FH series	5.8
SD	Dual Bracket	5.8
SS-12M	Support Nipple	5.8
TA	Self-Closing Dust Cap	5.8

### QUICK RELEASE COUPLINGS - MULTIFASTER

	Standard MultiFaster	5.9
	Front End Loader MultiFaster	5.9
	New Holland MultiFaster	5.9
	MultiFaster Accessories & Spares	5.9

### PORTA-POWER HOSES

	Replacement Hose Assemblies	5.10
	Quick-Release Couplings	5.10

### QUICK RELEASE COUPLINGS - TEMA STYLE

	Coupling - CEJN	5.11
--	-----------------	------

### SPLIT CLAMPS

SF30**	Flange Code 61	5.12
SF60**	Flange Code 62	5.12
CATFHS	Flange CAT-Style	5.12

### SAE FLANGES

CFCS	Blank Code 61	5.13
CFCS	Blank Code 62	5.13
FP	Blank Code 61	5.14
FPH	Blank Code 62	5.14
CFS	BSPP Code 61	5.15
CFS	NPTF Code 61	5.15
CFS	BSPP Code 62	5.15
JIC	JIC Code 61	5.16
JIC	JIC Code 62	5.16
JIC	JIC 90° Code 61	5.17
JIC	JIC 90° Code 62	5.17

### SAE FLANGE BOLT KITS

BKU-CAP	UNC Cap Head Bolt Kit	5.18
BKU-CAP	UNC Cap Head Bolt Kit Heavy Duty	5.18
BKU-HEX	UNC Hex Head Bolt Kit	5.18
BKU-HEX	UNC Hex Head Bolt Kit Heavy Duty	5.18
BKM-CAP	Metric Cap Head Bolt Kit	5.18
BKM-CAP	Metric Cap Head Bolt Kit Heavy Duty	5.18
BKM-HEX	Metric Hex Head Bolt Kit	5.18
BKM-HEX	Metric Hex Head Bolt Kit Heavy Duty	5.18

<b>SWIVEL JOINTS</b>	
S SERIES .....	In Line Swivel Joints ..... 5.19
9S SERIES .....	90 Swivel Joints ..... 5.20
<b>SWIVEL JOINTS - TEMA</b>	
.....	Swivel Joint..... 5.21
<b>ROTARY COUPLINGS - MTC</b>	
GGIL SERIES.....	In Line Rotary Couplings..... 5.22
GG90 SERIES .....	90° Rotary Couplings ..... 5.22
<b>BALL VALVES</b>	
.....	GE-2 Series ..... 5.23
.....	GM-2 Series ..... 5.23
.....	GE-3 Series ..... 5.23
.....	VBB series..... 5.23
<b>CHECK VALVES</b>	
.....	SDNR Series ..... 5.24
.....	VU Series ..... 5.24
<b>PRESSURE GAUGES</b>	
.....	Pressure Gauge - Quadrigauge ..... 5.24
.....	Pressure Gauge - Glycerine-Filled Dual Scale..... 5.25
.....	Pressure Gauge - Digital ..... 5.25
.....	Pressure Gauge Isolator ..... 5.25
.....	Pressure Gauge Adaptors..... 5.25
<b>TEST POINTS</b>	
.....	Test Point Couplings..... 5.26
.....	Test Point to Gauge Adaptor..... 5.26
.....	Test Point Hose Assemblies ..... 5.26
.....	Test Point Tees ..... 5.27
<b>TUBE</b>	
.....	Hydraulic Tube ..... 5.28
<b>COMPRESSION FITTINGS</b>	
.....	Versa Flare Compression Fittings..... 5.29
<b>PIPE CLAMPS - SINGLES</b>	
C2 - C7.....	Standard & Medium Duty Clamps ..... 5.30
PD1 - PD7.....	Double Plate..... 5.31
PM1 - PM7.....	Multiple Plate..... 5.31
BB, DF6 .....	Track & Nut ..... 5.31
VA1 - VA7.....	Stacking Bolt M & F..... 5.31
CP1 - CP4 .....	Heavyweight Clamp ..... 5.32
VA-CP.....	Heavyweight Stacking Bolt M & F ..... 5.32
<b>PIPE CLAMPS - DOUBLES</b>	
CF1 - CF5.....	Double Clamp..... 5.33
VA-CF.....	Stacking Bolt M & F..... 5.33
<b>HOSE CLAMPS</b>	
TTBY.....	Part Stainless, Heavy Duty T-Bolt Clamps ..... 5.35
TTBS.....	All Stainless, Heavy Duty T-Bolt Clamps..... 5.36
MH & HS .....	Perforated Band Clamps ..... 5.37
CAI .....	Vinyl Coated "P" Clamps ..... 5.38
TRLC.....	Rubber Lined "P" Clamps ..... 5.38
<b>SWAGING MACHINES &amp; CUT-OFF SAWS</b>	
.....	Child ..... 5.39

# Section 5 Accessories



## NV Series

1/2" only interchangeable according to ISO 7241-1 Part A

Standard couplings for general purpose applications with poppet valve shut-off system.

Connection/Disconnection under pressure: Not allowed.

Thread	Part Number	Part Number	Flow LPM	MWP	Accessories PVC		Accessories Alloy		Seal Kits
					Caps	Plugs	Caps	Plugs	
<b>BSP</b>	<b>Male Half</b>	<b>Female Half</b>	<b>l/min</b>	<b>bar</b>					<b>Female</b>
1/4	NV-14GAS-M	NV-14GAS-F	15	350	TF-14	TM-14	TF-14-S	TM-14-S	SK-NV14-F
3/8	NV-38GAS-M	NV-38GAS-F	50	300	TF-38	TM-38	TF-38-S	TM-38-S	SK-NV38-F
1/2	NV-12GAS-M	NV-12GAS-F	75	300	TF-12	TM-12	TF-12-S	TM-12-S	SK-NV12-F
3/4	NV-34GAS-M	NV-34GAS-F	150	250	TF-34	TM-34	TF-34-S	TM-34-S	SK-NV34-F
1	NV-1GAS-M	NV-1GAS-F	230	230	TF-1	TM-1	TF-1-S	TM-1-S	SK-NV1-F
1-1/4	NV-114GAS-M	NV-114GAS-F	340	220	TF-114	TM-114	TF-114-S	TM-114-S	SK-NV114-F
1-1/2	NV-112GAS-M	NV-112GAS-F	450	180	TF-112	TM-112	TF-112-S	TM-112-S	SK-NV112-F
2	NV-2GAS-M	NV-2GAS-F	1000	130	TF-2	TM-2	TF-2-S	TM-2-S	SK-NV2-F

NPT, SAE & Metric thread types available on request



## ANV Series

ISO 7241 Part A Interchange

Standard couplings for agricultural applications. Poppet valve shut-off system.

Connection/Disconnection under pressure: Not allowed.

Thread	Part Number	Part Number	Flow LPM	MWP	Accessories PVC		Accessories Alloy		Seal Kits
					Caps	Plugs	Caps	Plugs	
<b>BSP</b>	<b>Male Half</b>	<b>Female Half</b>	<b>l/min</b>	<b>bar</b>					<b>Female</b>
1/4	ANV-14GAS-M	ANV-14GAS-F	9	500	TFA-14	TMA-14	TFA-14-S	TMA-14-S	SK-ANV-14
3/8	ANV-38GAS-M	ANV-38GAS-F	30	300	TFA-38	TMA-38	TFA-38-S	TMA-38-S	SK-ANV-38
1/2	NV-12GAS-M	NV-12GAS-F	75	300	TF-12	TM-12	TF-12-S	TM-12-S	SK-NV12-F
3/4	ANV-34GAS-M	ANV-34GAS-F	180	300	TFA-34	TMA-34	TFA-34-S	TMA-34-S	SK-ANV-34
1	ANV-1GAS-M	ANV-1GAS-F	270	250	TFA-1	TMA-1	TFA-1-S	TMA-1-S	SK-ANV-1
1-1/4	ANV-114GAS-M	ANV-114GAS-F	330	250	TFA-114	TMA-114	TFA-114-S	TMA-114-S	SK-ANV-114
1-1/2	ANV-112GAS-M	ANV-112GAS-F	450	200	TFA-112	TMA-112	TFA-112-S	TMA-112-S	SK-ANV-112
2	ANV-2GAS-M	ANV-2GAS-F	900	150	TFA-2	TMA-2	TFA-2-S	TMA-2-S	SK-ANV-2

NPT, SAE & Metric thread types available on request



## NS Series

1/2" only interchangeable according to ISO 7241-1 Part A

Standard couplings for general purpose applications with ball valve shut-off system.

Connection/Disconnection under pressure: Not allowed.

Thread	Part Number	Part Number	Flow LPM	MWP	Accessories PVC		Accessories Alloy		Seal Kits
					Caps	Plugs	Caps	Plugs	
<b>BSP</b>	<b>Male Half</b>	<b>Female Half</b>	<b>l/min</b>	<b>bar</b>					<b>Female</b>
1/4	NS-14GAS-M	NS-14GAS-F	15	250	TF-14	TM-14	TF-14-S	TM-14-S	SK-NV14-F
1/4	NS-14NPT-M	NS-14NPT-F	15	250	TF-14	TM-14	TF-14-S	TM-14-S	SK-NV14-F
3/8	NS-38GAS-M	NS-38GAS-F	30	250	TF-38	TM-38	TF-38-S	TM-38-S	SK-NV38-F
3/8	NS-38NPT-M	NS-38NPT-F	30	250	TF-38	TM-38	TF-38-S	TM-38-S	SK-NV38-F
1/2	NS-12GAS-M	NS-12GAS-F	50	200	TF-12	TM-12	TF-12-S	TM-12-S	SK-NV12-F
1/2	NS-12NPT-M	NS-12NPT-F	50	200	TF-12	TM-12	TF-12-S	TM-12-S	SK-NV12-F
3/4	NS-34GAS-M	NS-34GAS-F	80	170	TF-34	TM-34	TF-34-S	TM-34-S	SK-NV34-F
3/4	NS-34NPT-M	NS-34NPT-F	80	170	TF-34	TM-34	TF-34-S	TM-34-S	SK-NV34-F
1	NS-1GAS-M	NS-1GAS-F	140	220	TF-1	TM-1	TF-1-S	TM-1-S	SK-NV1-F
1	NS-1NPT-M	NS-1NPT-F	140	220	TF-1	TM-1	TF-1-S	TM-1-S	SK-NV1-F

NPT, SAE & Metric thread types available on request



### PV Series

#### ISO 7241-1 Part A Interchange

Push-pull couplings for agriculture, designed for panel mounted installation. BSP & NPT female thread available. Breakaway function. Connection/Disconnection under pressure: Not allowed.

Thread	Part Number	Part Number	Flow LPM	MWP	Accessories PVC		Accessories Alloy		Seal Kits
					Caps	Plugs	Caps	Plugs	Female
BSPP	Male Half	Female Half	l/min	bar	TF-12	TM-12	TF-12-S	TM-12-S	SK-NV12-F
1/2	Use NV Series	PV-12GAS-F	75	260					

NPT thread type available on request



### VV Series

Robust, reliable & allows connection under residual pressure. Double function sleeve on female allows for connection with either VV or NV male halves.

Connection/Disconnection under pressure: Allowed residual.

Thread	Part Number	Part Number	Flow LPM	MWP	Accessories PVC		Accessories Alloy		Seal Kits
					Caps	Plugs	Caps	Plugs	Female
1/4	VV-14GAS-M	VV-14GAS-F	18	350	-	-	TFV-14S	TMV-14S	SK-NV14-F
3/8	VV-38GAS-M	VV-38GAS-F	30	300	-	-	TFV-38S	TMV-38S	SK-NV38-F
1/2	VV-12GAS-M	VV-12GAS-F	65	250	-	-	TFV-12S	TMV-12S	SK-NV12-F
3/4	VV-34GAS-M	VV-34GAS-F	100	250	-	-	TFV-34S	TMV-34S	SK-NV34-F
1	VV-1GAS-M	VV-1GAS-F	140	250	-	-	TFV-1S	TMV-1S	SK-NV1-F

NPT thread type available on request



### PVVM Series

#### ISO 14540 Interchange

Screw-on couplings purposely designed for the heaviest applications (eg hydraulic jacks). Robust metal to metal sealing poppet valve. This series guarantees the best performance in terms of maximum working pressure.

Connection/Disconnection under pressure: Allowed residual.

Thread	Part Number	Part Number	Flow LPM	MWP	Accessories PVC		Accessories Alloy		Seal Kits
					Caps	Plugs	Caps	Plugs	Female
NPT	Male Half	Female Half	l/min	bar					
1/4	PVVM-14NPT-M	PVVM-1/14NPT-F	15	1030	-	-	TFP-14	TMP-14	SK-PVVM14-F
3/8	PVVM-38NPT-M	PVVM-1/38NPT-F	20	1000	-	-	TFP-38	TMP-38	SK-PVVM38-F





# Section 5 Accessories



## FFH Series

ISO 16028 Interchange, 35MPa Series. Supercedes 2FFI Series

Flate face couplings with real maximum working pressure of 35MPa (350 bar) and zinc nickel plating. Flat valve shut-off system contributes to prevent contamination and spillage.

Connection/Disconnection under pressure: Not allowed.

Thread	Part Number	Part Number	Flow LPM	MWP	Accessories PVC		Accessories Alloy		Seal Kits
					Caps	Plugs	Caps	Plugs	
BSP/SAE	Male Half	Female Half	l/min	bar	Caps	Plugs	Caps	Plugs	Male
1/4	FFH04-14GAS-M	FFH04-14GAS-F	25	350	TF2FI-14	TM2FI-14	TF2FI-14S	TM2FI-14S	SK-MF-14
3/8	FFH06-38GAS-M	FFH06-38GAS-F	50	350	TFF-38	TMF-38	TF2FN-38S	TM2FN-38S	SK-FFH06-M
1/2	FFH06-12GAS-M	FFH06-12GAS-F	50	350	TFF-38	TMF-38	TF2FN-38S	TM2FN-38S	SK-FFH08-M
3/4	FFH06-12SAE-M	FFH06-12SAE-F	50	350	TFF-38	TMF-38	TF2FN-38S	TM2FN-38S	SK-FFH10-M
1/2	FFH08-12GAS-M	FFH08-12GAS-F	110	350	TF2FI-12	TM2FI-12	TF2FI-12S	TM2FI-12S	SK-FFH12-M
3/4	FFH08-34GAS-M	FFH08-34GAS-F	110	350	TF2FI-12	TM2FI-12	TF2FI-12S	TM2FI-12S	SK-FFH16-M
7/8	FFH08-58SAE-M	FFH08-58SAE-F	110	350	TF2FI-12	TM2FI-12	TF2FI-12S	TM2FI-12S	SK-FFH08-M
1-1/16	FFH08-34SAE-M	FFH08-34SAE-F	125	350	TF2FI-12	TM2FI-12	TF2FI-12S	TM2FI-12S	SK-FFH08-M
3/4	FFH10-34GAS-M	FFH10-34GAS-F	160	350	TF2FI-58	TM2FI-58	-	-	SK-FFH10-M
3/4	FFH12-34GAS-M	FFH12-34GAS-F	160	350	TF2FI-34	TM2FI-34	TF2FI-34S	TM2FI-34S	SK-FFH12-M
1-1/16	FFH12-34SAE-M	FFH12-34SAE-F	160	350	TF2FI-34	TM2FI-34	TF2FI-34S	TM2FI-34S	SK-FFH12-M
1	FFH12-1GAS-M	FFH12-1GAS-F	160	350	TF2FI-34	TM2FI-34	TF2FI-34S	TM2FI-34S	SK-FFH16-M
1-5/16	FFH12-1SAE-M	FFH12-1SAE-F	160	350	TF2FI-34	TM2FI-34	TF2FI-34S	TM2FI-34S	SK-FFH12-M
1	FFH16-1GAS-M	FFH16-1GAS-F	230	350	TF2FI-1	TM2FI-1	TF2FI-1S	TM2FI-1S	SK-FFH16-M

NPT, SAE & Metric thread types available on request



## 3FFH Series

ISO 16028 Interchange. Supercedes 3FFI Series

Flat face couplings, real 35MPa (350 bar) max working pressure. Zinc-nickel plating.

Connection under pressure: Allowed residual.

Disconnection under pressure: Not allowed.

Thread	Part Number	Part Number	Flow LPM	MWP	Accessories PVC		Accessories Alloy	
					Caps	Plugs	Caps	Plugs
BSP	Male Half	Female Half	l/min	bar	Caps	Plugs	Caps	Plugs
3/8	3FFH06-38GAS-M	FFH06-38GAS-F	35	350	TFF-38	TMF-38	TF2FN-38S	TM2FN-38S
1/2	3FFH08-12GAS-M	FFH08-12GAS-F	65	350	TF2FI-12	TM2FI-12	TF2FI-12S	TM2FI-12S
3/4	3FFH12-34GAS-M	FFH12-34GAS-F	115	350	TF2FI-34	TM2FI-34	TF2FI-34S	TM2FI-34S

NPT, SAE & Metric thread types available on request

Flow rates based on male coupler



## 4BD4FH Series

ISO 16028 Interchange

Designed to allow a quick connection and disconnection of attachments for skid steer loaders and other construction equipment machines. Shares all the benefits of the FFH series technology. High flow capability when using 3/4" cartridges instead of 1/2" (both sizes fit into the same body).

Connection under pressure: Using 3FFH Series.

Disconnection under pressure: In two steps.

Thread	Part Number	Part Number	Flow LPM	MWP	Accessories PVC		Accessories Alloy		Seal Kits
JIC	Male Half	Female Half	l/min	bar	Caps	Plugs	Caps	Plugs	-
7/8-M	4BD4FH08-13/58S	-	100	350	TF2FI-12	TM2FI-12	TF2FI-12S	TM2FI-12S	-
1-1/16-M	4BD4FH08-13/34S	-	100	350	TF2FI-12	TM2FI-12	TF2FI-12S	TM2FI-12S	-
<b>Spare Part Kits For The Above</b>									
	KIT-4FH08-M	KIT-4FH08-F			KIT4BD-FFN38N				Centre Drain Line
Male & Female Spares									



### 3FFV Series

Flat face, screw on type couplings. Resistant to pressure peaks (hammer circuits).  
Connection/Disconnection under pressure: Not allowed.

Thread	Part Number		Flow LPM	MWP	Accessories Alloy	
	Male Half	Female Half			Caps	Plugs
3/8	3FFV-38GAS-M	3FFV-38GAS-F	45	300	TF-3FV38-S	TM-3FV38-S
1/2	3FFV-12GAS-M	3FFV-12GAS-F	72	300	TF-3FV12-S	TM-3FV12-S
3/4	3FFV-34GAS-M	3FFV-34GAS-F	150	300	TF-3FV34-S	TM-3FV34-S
1	3FFV-1GAS-M	3FFV-1GAS-F	200	400	TF-3FV1-S	TM-3FV1-S
1-1/2	3FFV-112-114GAS-M	3FFV-112-114GAS-F	320	400	TF-3FV112-S	TM-3FV112-S
1-1/2	3FFV-112GAS-M	3FFV-112GAS-F	320	400	TF-3FV112-S	TM-3FV112-S

NPT & SAE thread types available on request



### FHV Series

Screw on flat face couplings, suitable for construction equipment and heavy duty applications. No hose torsion during connection/disconnection thanks to internal bearing system. Equipped with a safety sleeve to prevent accidental disconnections due to vibrations.

Connection by hand up to 35MPa residual pressure in the male half.  
Disconnection under pressure: Allowed.

Thread	Part Number		Flow LPM	MWP	Accessories Alloy		Seal Kits
	Male Half	Female Half			Caps	Plugs	Male
3/8	FHV06-38GAS-M	FHV06-38GAS-F	32	530	TF-FHV06-S	TM-FHV06-S	SK-FHV-06
1/2	FHV08-12GAS-M	FHV08-12GAS-F	70	530	TF-FHV08-S	TM-FHV08-S	SK-FHV-08
3/4	FHV12-34GAS-M	FHV12-34GAS-F	120	460	TF-FHV12-S	TM-FHV12-S	SK-FHV-12
1	FHV16-1GAS-M	FHV16-1GAS-F	200	530	TF-FHV16-S	TM-FHV16-S	SK-FHV-16
1-1/4	FHV20-114GAS-M	FHV20-114GAS-F	350	460	TF-FHV20-S	TM-FHV20-S	SK-FHV-20
1-1/2	FHV24-112GAS-M	FHV24-112GAS-F	420	460	TF-FHV24-S	TM-FHV24-S	SK-FHV-24

NPT, SAE (ORB & flange) & Metric flange thread types available on request



### 3CFPV Series

#### ISO 7241-1 Part A Interchange

Push-pull coupling, connectable with male under residual pressure. Breakaway function. Can be screwed directly into valve port or rigid pipes.

Connection under pressure: Allowed male half up to working pressure.  
Disconnection under pressure: Only as breakaway function.

Thread Type	Part Number	Part Number	Flow LPM	MWP	Accessories PVC		Accessories Acetal Resin		Seal Kits
	Male Half	Female Half			Caps	Plugs	Caps	Plugs	Female
22m M	NV or 2NV	3CFPV-1/2215-F	70	250	TF-12	TM-12	TA-12	TM-12	SK-NV12-F
7/8 ORB	NV or 2NV	3CFPV-1/78UNF-F	70	250	TF-12	TM-12	TA-12	TM-12	SK-NV12-F
1/2 BSP	NV or 2NV	3CFPV-12GAS-F	70	250	TF-12	TM-12	TA-12	TM-12	SK-NV12-F
7/8 JIC B/H	NV or 2NV	3CFPV-14/78UNF-F	70	250	TF-12	TM-12	TA-12	TM-12	SK-NV12-F
22x1.5 B/H	NV or 2NV	3CFPV-7/2215F	70	250	TF-12	TM-12	TA-12	TM-12	SK-NV12-F

NPT, SAE & Metric thread types available on request



# Section 5 Accessories



## NZ Series

### PB3310 Interchange (PBR 1" Truck)

Similar to NV series couplings but are specially designed to interchange with couplings in the New Zealand market in the transport field.

Connection/Disconnection under pressure: Not allowed.

Thread	Part Number	Part Number	Flow LPM	MWP	Interchange		Accessories PVC		Seal Kits
					Male	Female	Caps	Plugs	Female
BSPP	Male Half	Female Half	l/min	bar					
1	NZ-1GAS-M	NZ-1GAS-F	160	230	PBR-16MT	PBR-16FB	PBR-16DC	PBR-16DP	-



## DF Series

### ISO 15171-1 Interchange

Flat face couplings specifically designed to measure the internal pressure of hydraulic circuits. Male part to be mounted on the hydraulic line and female part to be connected to gauge instruments.

Connection/Disconnection under pressure: Not allowed.

Thread	Part Number	Part Number	Flow LPM	MWP	Accessories PVC		Seal Kits
					Caps	Plugs	Female
Type	Male Half	Female Half	l/min	bar			
1/8 NPT/F	DF04-18NPT-M	DF04-18NPT-F	2	470	TFDF-04	-	-
1/4 NPT/F	DF04-14NPT-M	DF04-14NPT-F	2	470	TFDF-04	-	-
1/4 NPT/M	DF04-1/14NPT-M	DF04-1/14NPT-F	2	470	TFDF-04	-	-
7/16 UNO/M	DF04-1/14SAE-M	DF04-1/14SAE-F	2	470	TFDF-04	-	-
9/16 UNO/M	DF04-1/38SAE-M	DF04-1/38SAE-F	2	470	TFDF-04	-	-

NPT, SAE, ORB & Metric thread types available on request



## TM & TF Dust Caps and Plugs

To suit NV, NS coupling series. Standard colour blue, but also available in orange, yellow, black, red and green.



Size (in)	Caps	Plugs
1/4	TF-14	TM-14
3/8	TF-38	TM-38
1/2	TF-12	TM-12
3/4	TF-34	TM-34
1	TF-1	TM-1



## TMV & TFV Dust Caps and Plugs

To suit VV series couplings.

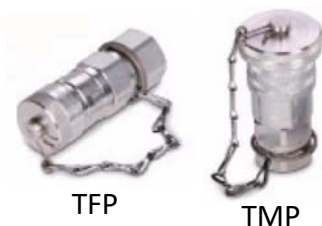
Size (in)	Caps	Plugs
1/4	TFV-14S	TMV-14S
3/8	TFV-38S	TMV-38S
1/2	TFV-12S	TMV-12S
3/4	TFV-34S	TMV-34S
1	TFV-1S	TMV-1S



## TMP & TFP Dust Caps and Plugs

To suit PVVM series couplings.

Size (in)	Caps	Plugs
1/4	TFP-14	TMP-14
3/8	TFP-38	TMP-38





# Section 5

## Accessories



### TM2 & TF2 Dust Caps and Plugs

To suit FFH, 3FFH and 4BD4FH coupling series. Standard colour blue, but also available in orange, yellow, black red and green.



Size (in)	PVC		Aluminium	
	Suit Female	Suit Male	Suit Female	Suit Male
1/4	TM2FI-14	TF2FI-14	TM2FI-14S	TF2FI-14S
3/8	TMF-38	TFF-38	TM2FN-38S	TF2FN-38S
1/2	TM2FI-12	TF2FI-12	TM2FI-12S	TF2FI-12S
3/4	TM2FI-34	TF2FI-34	TM2FI-34S	TF2FI-34S
1	TM2FI-1	TF2FI-1	TM2FI-1S	TF2FI-1S



### SD Dual Bracket 1/2" Couplings

To suit PV series couplings (push/pull type).

Colours: Green clamp insets and plated metal bracket

Size (in)	Part No.
1/2	SD-12



### SS Support Nipple 1/2" Couplings

To suit NV/NS series male couplings.

Size (in)	Part No.
1/2	SS-12M



### TA Self-Closing Dust Cap

Specifically designed for push/pull quick release couplings. It closes itself automatically when the male is disconnected, sealing off dust and dirt. Produced in nylon with stainless steel springs and particularly resistant to weather changes and aging factors.

Colour: Blue (standard)

Available On Request (MOQ may apply):

Yellow, Red, Black, Green, Brown



Size (in)	Part No.
1/2	TA-12



### MULTIFASTER

#### Quick-Release Multiconnection System



#### Standard MultiFaster

Base Size	Thread BSP	Qty Of Lines	Elec. Conn.	Fixed Half	Mobile Half	Flow l/min	PSI
06	1/2	2	N	2P206-2-12G-FC	2P206-2-12G-MC	40	3625
08	1/2	2	N	2P208-2-12G-FC	2P208-2-12G-MC	70	3625
06	1/2	4	N	2P506-4-12G-FC	2P506-4-12G-MC	40	3625
08	1/2	4	N	2P508-4-12G-FC	2P508-4-12G-MC	70	3625
06	1/2	6	N	2P606-6-12G-FC	2P606-6-12G-MC	40	3625
08	1/2	6	N	2P608-6-12G-FC	2P608-6-12G-MC	70	3625

#### Front End Loader MultiFaster

Base Size	Thread BSP	Qty Of Lines	Elec. Conn.	Fixed Half	Mobile Half	Flow l/min	PSI
06	3/8	4	N	2PS06-4-38G-FC	2PS06-4-38G-MC	40	3625
06	1/2	4	N	2PS06-4-12G-FC	2PS06-4-12G-MC	40	3625
08	1/2	4	Y	2PS08-1-4-12G-FC	2PS08-1-4-12G-MC	70	3625

#### New Holland MultiFaster Special

Base Size	Thread UNO	Qty Of Lines	Elec. Conn.	Fixed Half	Mobile Half	Flow l/min	PSI
06	9/16 / 3/4	5	N	2P5065-5-A-FC	3P5065-5-A-MC		3625

#### Accessories & Spares for MultiFaster

Couplings	Docking	Dust Cover	Electrical	Guide Pins	Lever
Plates	Plugs	Safety Locks	Screws	Seals	



# Section 5 Accessories

## Porta-Power

## REPLACEMENT HYDRAULIC HOSE ASSEMBLIES TO SUIT PORTA-POWER UNITS

### HOSE ASSEMBLIES

690 BAR (10,000 PSI) WORKING PRESSURE  
2:1 SAFETY FACTOR



**NB: Quick-release coupling half not included in hose assembly.**

Part No.	
PPH-500	1/4" Jack Line hose (4J2AT) Male NPT couplings and wire bend restrictors at each end
PPH-1000	
PPH-1500	
PPH-2000	
PPH-2500	
PPH-3000	
PPH-3500	
PPH-4000	
PPH-4500	
PPH-5000	
PPH-5500	
PPH-6000	
PPH-6500	
PPH-7000	
PPH-7500	
PPH-10000	
PPH-12000	
PPH-13000	
PPH-14000	
PPH-15000	
Part No. indicates length in (mm).	
Also available: CN9-0606H Socket 3/8" NPT High Pressure	

## PVVM Series

ISO 14540 Interchange

### Quick Release screw-on couplings. Heavy Duty Series

Screw-in couplings purposely designed for the heaviest applications (eg hydraulic jacks). Robust metal to metal sealing poppet valve, this series guarantees the best performance in terms of maximum working pressure.  
Connection/Disconnection under pressure: Allowed residual.

Part No.	DESCRIPTION
PVVM-38NPT-M	Male half coupler 3/8" NPTF
PVVM-1/38NPT-F	Female half coupler, 3/8" NPTF
TFP-38	Dust Cap (Hose Half)
TMP-38	Dust Plug (Ram Half)

Also available 1/4" NPT

Hose Half



Ram Half



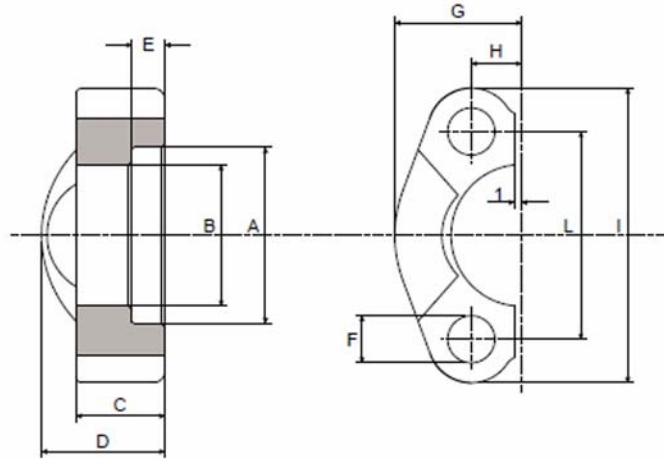
### CEJN Quick Release Couplings

- TEMA Interchange
- Manual locking ring for extra security
- High durability
- Sturdy design



Thread BSP (in)	Part No. Male	Part No. Female	Flow l/min	MWP bar	Accessories PVC	
					Caps	Plugs
1/4	2520	2510	29	450	2526	2516
3/8	3820	3810	69	350	3826	3816
1/2	5020	5010	122	300	5026	5016
3/4	7520	7510	250	280	7526	7516
1	10020	10010	425	250	10026	10016

### Flange Split Clamp - Code 61, 62 & CAT



Flange Split Clamp (Set = 2 halves)

New Part #	Old Part #	Series 61 WP (bar)	SAE	A mm	C mm	E mm	F mm	H mm	L mm	Bolt Kit	
										mm	Imperial
SF3001	FSC-08	210	1/2"	31	13	6.2	8.75	17.4	38.1	BKM-08	BKU-5/16
SF3002	FSC-12	210	3/4"	38.9	14	6.2	10.5	22.2	47.6	BKM-10	BKU-3/8
SF3003	FSC-16	210	1"	45.2	16	7.5	10.5	26.2	52.4	BKM-10	BKU-3/8
SF3004	FSC-20	210	1-1/4"	43.7	14	7.5	12	30.2	58.7	BKM-10	BKU-7/16
SF3005	FSC-24	210	1-1/2"	61.1	16	7.5	13.5	35.7	69.9	BKM-12	BKU-1/2
SF3006	FSC-32	210	2"	72.2	16	9	13.5	42.8	77.8	BKM-12	BKU-1/2
SF3007	FSC-40	175	2-1/2"	84.9	19	9	13.5	50.8	88.9	BKM-12	BKUH-1/2
SF3008	FSC-48	138	3"	102.4	22	9	17	62	106.4	BKM-16	BKU-5/8

\*Larger sizes available on request

Flange Split Clamp (Set = 2 halves)

New Part #	Old Part #	Series 62 WP (bar)	SAE	A mm	C mm	E mm	F mm	H mm	L mm	Bolt Kit	
										mm	Imperial
SF6001	FSCH-08	420	1/2"	32.5	16	7.2	8.75	18.2	40.5	BKM-08	BKU-5/16
SF6002	FSCH-12	420	3/4"	42	19	8.3	10.5	23.8	50.8	BKMH-10	BKUH-3/8
SF6003	FSCH-16	420	1"	48.4	24	9	13	27.8	57.2	BKMH-12	BKUH-7/16
SF6004	FSCH-20	420	1-1/4"	54.8	27	9.8	15	31.8	66.6	BKM-14	BKUH-1/2
SF6005	FSCH-24	420	1-1/2"	64.3	30	12.1	17	36.5	79.3	BKM-16	BKU-5/8
SF6006	FSCH-32	420	2"	80.2	37	12.1	21	44.4	96.8	BKM-20	BKU-3/4

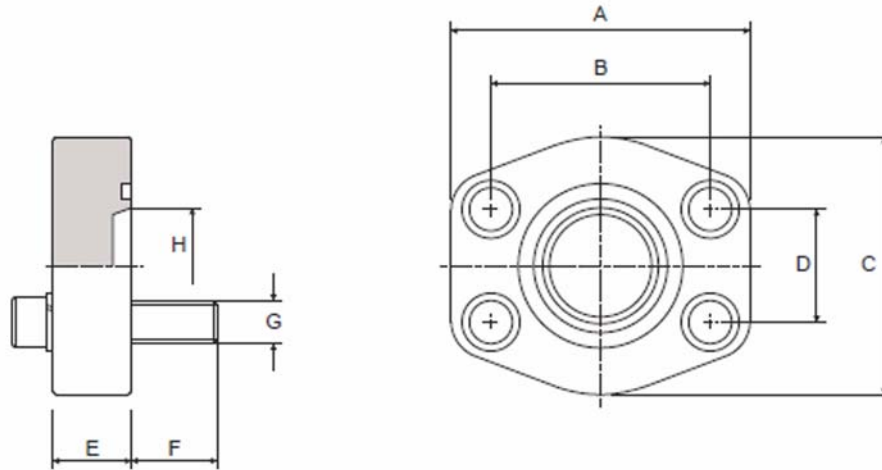
\*Larger sizes available on request

Flange Split Clamp (Set = 2 halves)

Part #	Series CAT WP (bar)	CAT	A mm	C mm	E mm	F mm	H mm	L mm	Bolt Kit	
									mm	Imperial
12CATFHS	420	3/4"	42	-	-	10.5	23.8	50.8	BKMH-10	BKUH-3/8
16CATFHS	420	1"	48.4	-	-	13	27.8	57.2	BKMH-12	BKUH-7/16
20CATFHS	420	1-1/4"	54.8	-	-	15	31.8	66.6	BKMH-14	BKUH-1/2
24CATFHS	420	1-1/2"	64.3	-	-	17	36.5	79.3	BKMH-16	BKU-5/8
32CATFHS	420	2"	80.2	-	-	21	44.4	96.8	BKMH-20	BKU-3/4



## Flange Blanks - Code 61 & 62



### Straight Flange

New Part #	Old Part #	Series 61 WP (bar)	SAE	A mm	B mm	C mm	D mm	E mm	O-Ring	Bolt Kit	
										mm	Imperial
CFCS080-1/2	FL-08	348	1/2"	57	38.1	47	17.5	16	R02-08	BKM-08	BKU-5/16
CFCS100-3/4	FL-12	348	3/4"	66	47.6	49	22.3	18	R02-12	BKM-10	BKU-3/8
CFCS102-1	FL-16	348	1"	71	52.4	53	26.2	19	R02-16	BKM-10	BKU-3/8
CFCS104-1-1/4	FL-20	278	1-1/4"	80	58.7	69	30.2	21	R02-20	BKM-10	BKU-7/16
CFCS106-1-1/2	FL-24	210	1-1/2"	95	69.9	77	35.7	25	R02-24	BKM-12	BKU-1/2
CFCS108-2	FL-32	210	2"	103	77.8	89	42.9	25	R02-32	BKM-12	BKU-1/2
CFCS110-2-1/2	FL-40	175	2-1/2"	116	88.9	101	50.8	25	R02-40	BKM-12	BKU-1/2
CFCS112-3	FL-48	138	3"	136	106.4	124	61.9	27	R02-48	BKM-16	BKU-5/8

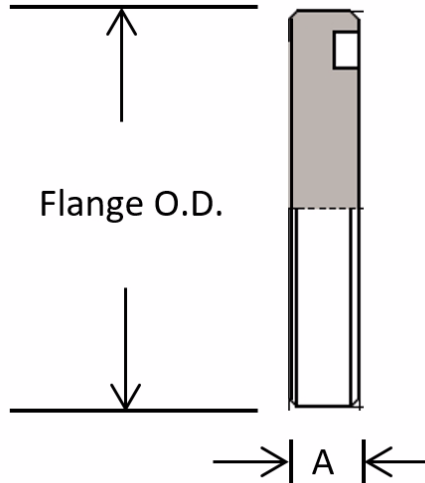
\*3-1/2", 4" & 5" sizes available on request

### Straight Flange

New Part #	Old Part #	Series 62 WP (bar)	SAE	A mm	B mm	C mm	D mm	E mm	O-Ring	Bolt Kit	
										mm	Imperial
CFCS401-1/2	FLH-08	420	1/2"	57	40.5	47	18.2	16	R02-08	BKM-08	BKU-5/16
CFCS402-3/4	FLH-12	420	3/4"	71	50.8	53	23.8	19	R02-12	BKMH-10	BKU-3/8
CFCS403-1	FLH-16	420	1"	80	57.2	66	27.8	24	R02-16	BKMH-12	BKU-7/16
CFCS404-1-1/4	FLH-20	420	1-1/4"	94	66.6	77	31.8	27	R02-20	BKM-14	BKU-1/2
CFCS405-1-1/2	FLH-24	420	1-1/2"	103	79.3	89	36.5	30	R02-24	BKM-16	BKU-5/8
CFCS406-2	FLH-32	420	2"	135	96.8	123	44.5	37	R02-32	BKM-20	BKU-3/4

\*Larger sizes available on request

### Flange Split Clamp Plugs - Code 61 & 62



Flange Split Clamp Plug

Part #	Series 61 WP (bar)	SAE	Flange O.D. mm	A mm	O-Ring mm
FP-08	210	1/2"	30.2	6.7	R02-08
FP-12	210	3/4"	38.1	6.7	R02-12
FP-16	210	1"	44.5	8.0	R02-16
FP-20	210	1-1/4"	50.8	8.0	R02-20
FP-24	210	1-1/2"	60.3	8.0	R02-24
FP-32	210	2"	71.4	9.5	R02-32

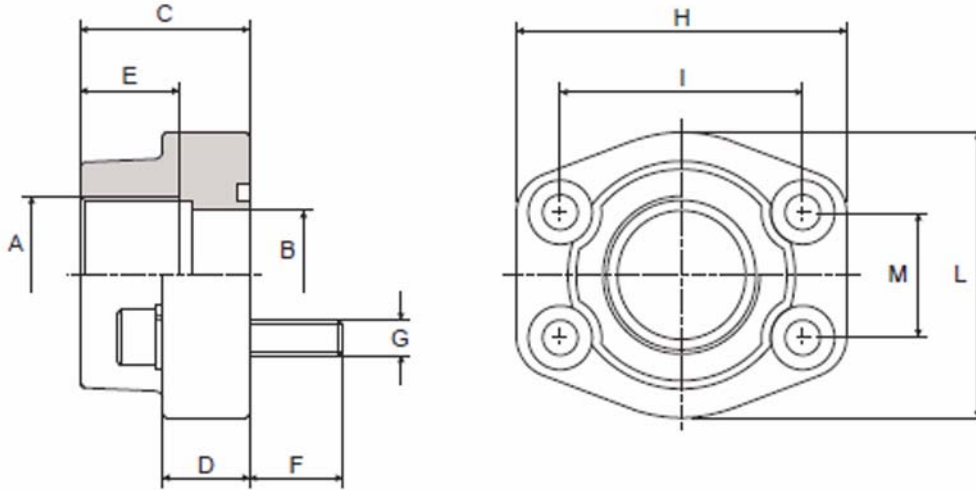
Flange Split Clamp Plug

Part #	Series 62 WP (bar)	SAE	Flange O.D. mm	A mm	O-Ring mm
FPH-08	420	1/2"	31.8	7.7	R02-08
FPH-12	420	3/4"	41.3	8.8	R02-12
FPH-16	420	1"	47.6	9.5	R02-16
FPH-20	420	1-1/4"	54.0	10.3	R02-20
FPH-24	420	1-1/2"	63.5	12.6	R02-24
FPH-32	420	2"	79.4	12.6	R02-32

# Section 5 Accessories



## BSPF & NPT - Code 61 & 62



### Straight Flange to BSPF Female

New Part #	Old Part #	Series 61 WP (bar)	A SAE	C mm	D mm	H mm	I mm	L mm	M mm	O-Ring	Bolt Kit	
											mm	Imperial
CFS080G-1/2	FB-08	348	1/2"	36	16	57	38.1	47	17.5	R02-08	BKM-08	BKU-5/16
CFS100G-3/4	FB-12	348	3/4"	36	18	66	47.6	49	22.3	R02-12	BKM-10	BKU-3/8
CFS102G-1	FB-16	348	1"	38	18	71	52.4	53	26.2	R02-16	BKM-10	BKU-3/8
CFS104G-1-1/4	FB-20	278	1-1/4"	41	21	80	58.7	69	30.2	R02-20	BKM-10	BKU-7/16
CFS106G-1-1/2	FB-24	210	1-1/2"	44	25	94	69.9	77	35.7	R02-24	BKM-12	BKU-1/2
CFS108G-2	FB-32	210	2"	45	25	103	77.8	89	42.9	R02-32	BKM-12	BKU-1/2
CFS110G-2-1/2	FB-40	175	2-1/2"	50	25	115	88.9	101	50.8	R02-40	BKM-12	BKU-1/2
CFS112G-3	FB-48	138	3"	50	27	135	106.4	124	61.9	R02-48	BKM-16	BKU-5/8

\*3-1/2", 4" & 5" sizes available on request

### Straight Flange to BSPF Female

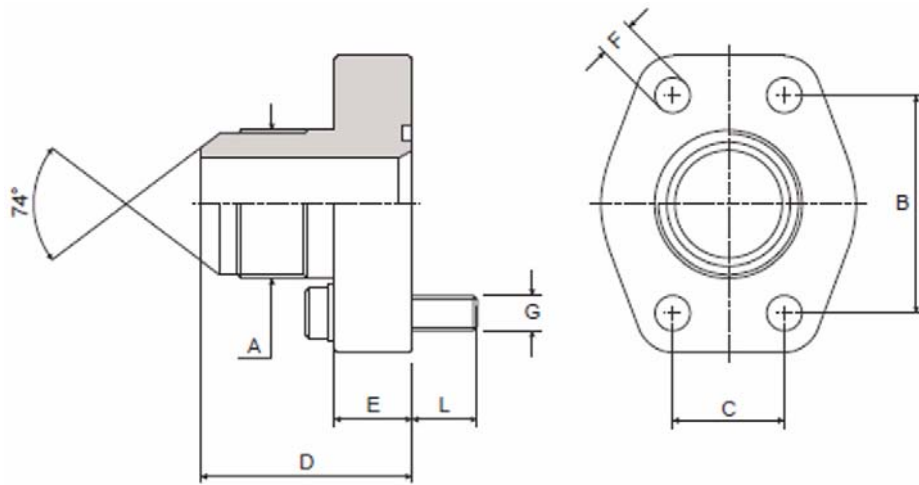
New Part #	Old Part #	Series 62 WP (bar)	A SAE	C mm	D mm	H mm	I mm	L mm	M mm	O-Ring	Bolt Kit	
											mm	Imperial
CFS401G-1/2	FBH-08	420	1/2"	36	16	57	40.5	47	18.2	R02-08	BKM-08	BKU-5/16
CFS402G-3/4	FBH-12	420	3/4"	36	19	71	50.8	53	23.8	R02-12	BKMH-10	BKU-3/8
CFS403G-1	FBH-16	420	1"	44	24	80	57.2	69	27.8	R02-16	BKMH-12	BKU-7/16
CFS404G-1-1/4	FBH-20	420	1-1/4"	44	27	94	66.6	77	31.8	R02-20	BKM-14	BKU-1/2
CFS405G-1-1/2	FBH-24	420	1-1/2"	51	30	106	79.3	89	36.5	R02-24	BKM-16	BKU-5/8
CFS406G-2	FBH-32	420	2"	70	37	135	96.8	116	44.5	R02-32	BKM-20	BKU-3/4

### Straight Flange to NPT Female

New Part #	Old Part #	Series 61 WP (bar)	A SAE	C mm	D mm	H mm	I mm	L mm	M mm	O-Ring	Bolt Kit	
											mm	Imperial
CFS080N-1/2	FN-08	420	1/2"	36	16	57	38.1	47	17.5	R02-08	BKM-08	BKU-5/16
CFS100N-3/4	FN-12	420	3/4"	36	18	66	47.6	49	22.3	R02-12	BKM-10	BKU-3/8
CFS102N-1	FN-16	420	1"	38	18	71	52.4	53	26.2	R02-16	BKM-10	BKU-3/8
CFS104N-1-1/4	FN-20	420	1-1/4"	41	21	80	58.7	69	30.2	R02-20	BKM-10	BKU-7/16
CFS106N-1-1/2	FN-24	420	1-1/2"	44	25	94	69.9	77	35.7	R02-24	BKM-12	BKU-1/2
CFS108N-2	FN-32	420	2"	45	25	103	77.8	89	42.9	R02-32	BKM-12	BKU-1.2
CFS110N-2-1/2	FN-40	420	2-1/2"	50	25	115	88.9	101	50.8	R02-40	BKM-12	BKU-1/2

\*3", 3-1/2", 4" & 5" sizes available on request

### JIC Male - Code 61 & 62



**Straight Flange To Male JIC**

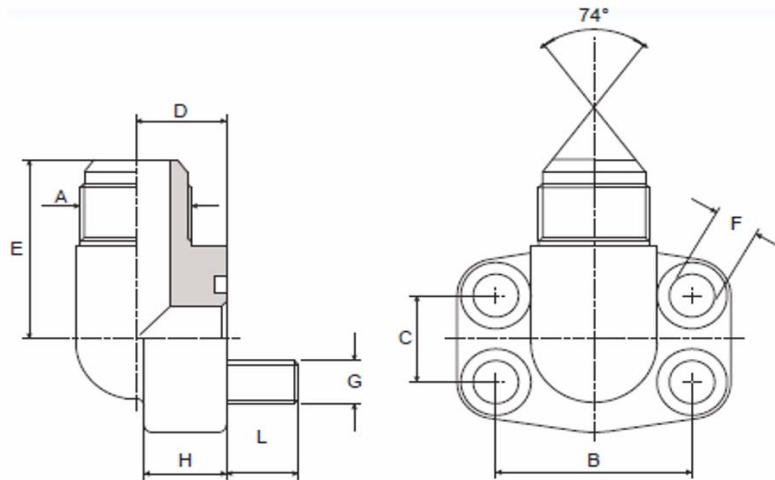
Part #	Series 61 WP (bar)	SAE	A Thread	B mm	C mm	D mm	E mm	F mm	O-Ring	Bolt Kit	
										mm	Imperial
JIC-080-A	348	1/2"	3/4"-16*	38.1	17.5	41	16	9	R02-08	BKM-08	BKU-5/16
JIC-080-B			7/8"-14			41					
JIC-080-C			1-1/16"-12*			46					
JIC-100-A	348	3/4"	7/8"-14*	47.6	22.3	47	18	11	R02-12	BKM-10	BKU-3/8
JIC-100-B			1-1/16"-12			49					
JIC-100-C			1-5/16"-12*			50					
JIC-102-A	348	1"	1-1/16"-12*	52.4	26.2	51	18	11	R02-16	BKM-10	BKU-3/8
JIC-102-B			1-5/16"-12			52					
JIC-102-C			1-5/8"-12*			54					
JIC-104-A	278	1-1/4"	1-5/16"-12*	58.7	30.2	56	21	11.5	R02-20	BKM-10	BKU-7/16
JIC-104-B			1-5/8"-12			58					
JIC-104-C			1-7/8"-12*			61					
JIC-106-A	210	1-1/2"	1-5/8"-12*	69.9	35.7	64	24	13.5	R02-24	BKM-12	BKU-1/2
JIC-106-B			1-7/8"-12			67					

**Straight Flange to Male JIC**

Part #	Series 62 WP (bar)	SAE	A Thread	B mm	C mm	D mm	E mm	F mm	O-Ring	Bolt Kit	
										mm	Imperial
JIC-402-A	420	3/4"	7/8"-14*	50.8	23.8	49	18	11	R02-12	BKM-10	BKUH-3/8
JIC-402-B			1-1/16"-12			51					
JIC-402-C			1-5/16"-12*			52					
JIC-403-A	420	1"	1-1/16"-12*	57.2	27.8	58	18	13	R02-16	BKM-12	BKUH-7/16
JIC-403-B			1-5/16"-12			59					
JIC-403-C			1-5/8"-12*			61					
JIC-404-A	420	1-1/4"	1-5/16"-12*	66.6	31.8	64	24	15	R02-20	BKM-14	BKUH-1/2
JIC-404-B			1-5/8"-12			66					
JIC-404-C			1-7/8"-12*			69					
JIC-405-A	420	1-1/2"	1-5/8"-12*	79.3	36.5	70	27	17	R02-24	BKM-16	BKU-5/8
JIC-405-B			1-7/8"-12			73					

\*Non-stock - Jump sizes available on request

## 90° JIC Male - Code 61 & 62



**Straight Flange To Male JIC 90°**

Part #	Series 61 WP (bar)	SAE	A Thread	B mm	C mm	D mm	F mm	H mm	O-Ring	Bolt Kit	
										mm	Imperial
JIC-300-90-A	348	1/2"	3/4"-16*	38.1	17.5	17	9	16	R02-08	BKM-08	BKU-5/16
JIC-300-90-B			7/8"-14			17					
JIC-300-90-C			1-1/16"-12*			20					
JIC-301-90-A	348	3/4"	7/8"-14*	47.6	22.3	20	11	18	R02-12	BKM-10	BKU-3/8
JIC-301-90-B			1-1/16"-12			20					
JIC-301-90-C			1-5/16"-12*			25					
JIC-302-90-A	348	1"	1-1/16"-12*	52.4	26.2	20	11	19	R02-16	BKM-10	BKU-3/8
JIC-302-90-B			1-5/16"-12			25		24			
JIC-304-90-A	278	1-1/4"	1-5/16"-12*	58.7	30.2	25	11.5	22	R02-20	BKM-10	BKU-7/16
JIC-304-90-B			1-5/8"-12			31					
JIC-304-90-C			1-7/8"-12*			37					
JIC-306-90-A	210	1-1/2"	1-5/8"-12*	69.9	35.7	31	13.5	25	R02-24	BKM-12	BKU-1/2
JIC-306-90-B			1-7/8"-12			37					

**Straight Flange to Male JIC 90°**

Part #	Series 62 WP (bar)	SAE	A Thread	B mm	C mm	D mm	F mm	H mm	O-Ring	Bolt Kit	
										mm	Imperial
JIC-601-90-A	420	3/4"	7/8"-14*	50.8	23.8	20	11	19	R02-12	BKM-10	BKUH-3/8
JIC-601-90-B			1-1/16"-12			20					
JIC-601-90-C			1-5/16"-12*			25					
JIC-602-90-A	420	1"	1-1/16"-12*	57.2	27.8	25	13	24	R02-16	BKM-12	BKUH-7/16
JIC-602-90-B			1-5/16"-12			25					
JIC-602-90-C			1-5/8"-12*			31					
JIC-604-90-A	420	1-1/4"	1-5/16"-12*	66.6	31.8	31	15	25	R02-20	BKM-14	BKUH-1/2
JIC-604-90-B			1-5/8"-12			31					
JIC-604-90-C			1-7/8"-12*			37					
JIC-606-90-A	420	1-1/2"	1-5/8"-12*	79.3	36.5	37	17	26	R02-24	BKM-16	BKU-5/8
JIC-606-90-B			1-7/8"-12			37					

\*Non-stock - Jump sizes available on request



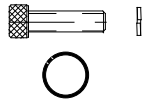
# Section 5

## Accessories

### BOLT KIT UNC

includes four cap screws  
four spring washers  
one 90 Duro 'O' Ring

Suits split or solid type

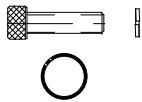


P/Number	Thread
BKU-5/16CAP	5/16 x 18tpi
BKU-3/8CAP	3/8 x 16tpi
BKU-7/16CAP	7/16 x 14tpi
BKU-1/2CAP	1/2 x 13tpi
BKU-5/8CAP	5/8 x 11tpi
BKU-3/4CAP	3/4 x 10tpi
BKU-3/8CAP	3/8 x 16tpi
BKU-7/16CAP	7/16 x 14tpi
BKU-1/2CAP	1/2 x 13tpi

### BOLT KIT METRIC

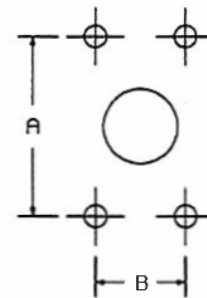
includes four cap screws  
four spring washers  
one 90 Duro 'O' Ring

Suits split or solid type



P/Number	Thread
BKM-08CAP	M8 x 1.25
BKM-10CAP	M10 x 1.5
BKM-12CAP	M12 x 1.75
BKM-14CAP	M14 x 2
BKM-16CAP	M16 x 2
BKM-20CAP	M20 x 2.5
BKMH-10CAP	M10 x 1.5
BKMH-12CAP	M12 x 1.75
BKMH-16CAP	M16 x 2

### FLANGE BOLT CENTRES



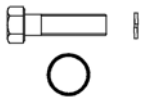
#### Code 61

Dash Size	Inch-Size	A	B	M.W. P. psi
-08	1/2"	38.1	17.5	5000
-12	3/4"	47.6	22.3	5000
-16	1"	52.4	26.2	5000
-20	1-1/4"	58.7	30.2	4000
-24	1-1/2"	69.8	35.7	3000
-32	2"	77.8	42.9	3000
-40	2-1/2"	88.9	50.8	2500
-48	3"	106.4	61.9	2000

### BOLT KIT UNC

includes four hex head bolts  
four spring washers  
one 90 Duro 'O' Ring

Suits split type only

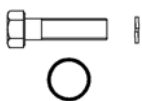


P/Number	Thread
BKU-5/16HEX	5/16 x 18tpi
BKU-3/8HEX	3/8 x 16tpi
BKU-7/16HEX	7/16 x 14tpi
BKU-1/2HEX	1/2 x 13tpi
BKU-5/8HEX	5/8 x 11tpi
BKU-3/4HEX	3/4 x 10tpi
BKU-3/8HEX	3/8 x 16tpi
BKU-7/16HEX	7/16 x 14tpi
BKU-1/2HEX	1/2 x 13tpi

### BOLT KIT METRIC

includes four hex head bolts  
four spring washers  
one 90 Duro 'O' Ring

Suits split type only



P/Number	Thread
BKM-08HEX	M8 x 1.25
BKM-10HEX	M10 x 1.5
BKM-12HEX	M12 x 1.75
BKM-14HEX	M14 x 2
BKM-16HEX	M16 x 2
BKM-20HEX	M20 x 2.5
BKMH-10HEX	M10 x 1.5
BKMH-12HEX	M12 x 1.75

#### Code 62

Dash Size	Inch-Size	A	B	M.W. P. psi
-08	1/2"	40.5	18.2	6000
-12	3/4"	50.8	23.8	6000
-16	1"	57.1	27.8	6000
-20	1-1/4"	66.7	31.8	6000
-24	1-1/2"	79.4	36.5	6000
-32	2"	96.8	44.5	6000

NB: Choose cap screws only for solid flange blocks

# Section 5 Accessories



## S Series/Inline High Pressure Hydraulic Swivel Joints

Simplified plumbing, longer hose life, less down time, increased reliability and money saving. Designed for low-speed rotation. Working pressure 3,000psi.

### MALE JIC TO MALE NPT

Part No.	Barrel Thread JIC	Stem Thread NPT	Seal Kit
S6J6-P4	9/16-18	1/4"	S6-1
S8J10-P8	7/8-14	1/2"	S8-1
S8J12-P12	1 1/16-12	3/4"	S8-1
S16J16-P16	1 5/16-12	1"	S16-1
*S20J20-P20	1 5/8-12	1 1/4"	S20-1



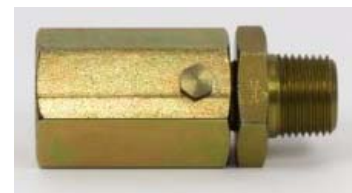
### MALE JIC TO FEMALE JIC

Part No.	Barrel Thread JIC	Stem Thread JIC	Seal Kit
S6J6-JF6	9/16-18	9/16-18	S6-1
S6J8-JF8	3/4-16	3/4-16	S6-1
S8J10-JF10	7/8-14	7/8-14	S8-1
S8J12-JF12	1 1/16-12	1 1/16-12	S8-1
S16J16-JF16	1 5/16-12	1 5/16-12	S16-1
S20J20-JF20	1 5/8-12	1 5/8-12	S20-1
*S24J24-JF24	1 7/8-12	1 7/8-12	S24-1



### FEMALE NPT TO MALE NPT

Part No.	Barrel Thread NPT	Stem Thread NPT	Seal Kit
S6PF4-P4	1/4"	1/4"	S6-1
S6PF6-P6	3/8"	3/8"	S6-1
S8PF8-P8	1/2"	1/2"	S8-1
S8PF8-P12	1/2"	3/4"	S8-1
S8PF12-P12	3/4"	3/4"	S8-1
S16PF16-P16	1"	1"	S16-1



### FEMALE NPT TO FEMALE NPT

Part No.	Barrel Thread NPT	Stem Thread NPT	Seal Kit
S6PF4-PF4	1/4"	1/4"	S6-1
S6PF6-PF6	3/8"	3/8"	S6-1
S8PF8-PF8	1/2"	1/2"	S8-1
S8PF12-PF12	3/4"	3/4"	S8-1
S16PF16-PF16	1"	1"	S16-1



### S Series/Inline High Pressure Hydraulic Swivel Joints

Simplified plumbing, longer hose life, less down time, increased reliability and money saving.

Designed for low-speed rotation. Working pressure 3,000psi.

#### MALE JIC TO MALE JIC

Part No.	Barrel Thread JIC	Stem Thread JIC	Seal Kit
9S6J6-J6	9/16-18	9/16-18	9S6-1
9S6J8-J8	3/4-16	3/4-16	9S6-1
9S8J10-J10	7/8-14	7/8-14	9S8-1
9S12J12-J12	1 1/16-12	1 1/16-12	9S12-1
9S16J16-J16	1 5/16-12	1 5/16-12	9S16-1
9S20J20-J20	1 5/8-12	1 5/8-12	9S20-1



#### MALE JIC TO MALE NPT

Part No.	Barrel Thread JIC	Stem Thread NPT	Seal Kit
9S6J6-P6	9/16-18	3/8"	9S6-1
9S6J8-P6	3/4-16	3/8"	9S6-1
9S8J8-P8	3/4-16	1/2"	9S8-1
9S8J10-P8	7/8-14	1/2"	9S8-1
9S12J12-P12	1 1/16-12	3/4"	9S12-1
9S16J16-P16	1 5/16-12	1"	9S16-1
9S20J20-P20	1 5/8-12	1 1/4"	9S20-1



#### MALE JIC TO FEMALE NPT

Part No.	Barrel Thread JIC	Stem Thread NPT	Seal Kit
9S6J6-PF6	9/16-18	3/8"	9S6-1
9S6J8-PF6	3/4-16	3/8"	9S6-1
9S8J8-PF8	3/4-16	1/2"	9S8-1
9S8J10-PF8	7/8-14	1/2"	9S8-1
9S12J12-PF12	1 1/16-12	3/4"	9S12-1
9S16J16-PF16	1 5/16-12	1"	9S16-1



#### MALE JIC TO MALE O'RING

Part No.	Barrel Thread JIC	Stem Thread UNO	Seal Kit
9S6J6-O6	9/16-18	9/16-18	9S6-1
9S6J6-O8	9/16-18	3/4-16	9S6-1
9S6J8-O8	3/4-16	3/4-16	9S6-1
9S8J10-O10	7/8-14	7/8-14	9S8-1
9S12J12-O12	1 1/16-12	1 1/16-12	9S12-1
9S16J16-O16	1 5/16-12	1 5/16-12	9S16-1
9S20J20-O20	1 5/8-12	1 5/8-12	9S20-1



## S Series/Inline High Pressure Hydraulic Swivel Joints

Simplified plumbing, longer hose life, less down time, increased reliability and money saving.  
Designed for low-speed rotation. Working pressure 3,000psi.

### FEMALE NPT TO MALE NPT

Part No.	Barrel Thread NPT	Stem Thread NPT	Seal Kit
9S6PU4-P4	1/4"	1/4"	9S6-1
9S6PU6-P6	3/8"	3/8"	9S6-1
9S8PU8-P8	1/2"	1/2"	9S8-1
9S12PU12-P12	3/4"	3/4"	9S12-1
9S16PU16-P16	1"	1"	9S16-1
9S20PU20-P20	1 1/4"	1 1/4"	9S20-1



### TEMA SWIVEL JOINTS



Part No.	Port G BSPP	Port G1 BSPP	L	OD	HEX 1	HEX 2	A	MWP bar	Weight kg
250	1/4"	3/8"	53	23	22	18	12	250	0.105
500	1/2"	3/4"	71	34	32	25	16	250	0.250
750	3/4"	1"	80	43	40	32	20	250	0.460
1000	1"	1 1/4"	86	53	50	38	22	250	0.700

The Tema Swivel Joint has very low torque even at max. working pressure, due to a balanced spindle seal.  
The Tema Swivel Joint has been shocked tested under pressure from 0-250 bar

### MTC Rotary Couplings

Rotary couplings are used to connect two hydraulic lines that are moving simultaneously in different directions. Rotations can either be alternating or continuous.

These couplings rotate on roller bearings and provide a perfect seal via special low friction seals. They can rotate under maximum pressure with low torque.

Part No.	Barrel BSPP-F	Stem BSPP-M	Speed RPM	M.W.P. bar	Max. Flow l/min
GGIL01	1/4"	1/4"	500	400	25
GGIL02	3/8"	3/8"	400	400	45
GGIL03	1/2"	1/2"	370	360	80
GGIL04	3/4"	3/4"	280	310	120
GGIL05	1"	1"	230	280	150
GGIL06	1-1/4"	1-1/4"	200	250	200
GGIL07	1-1/2"	1-1/2"	170	210	250
GGIL09	2"	2"	140	180	300



Inline Coupling

Part No.	Barrel BSPP-F	Stem BSPP-M	Speed RPM	M.W.P. bar	Max. Flow l/min
GG9001	1/4"	1/4"	500	400	25
GG9002	3/8"	3/8"	400	400	45
GG9003	1/2"	1/2"	370	360	80
GG9004	3/4"	3/4"	280	310	120
GG9005	1"	1"	230	280	150
GG9006	1-1/4"	1-1/4"	200	250	200
GG9007	1-1/2"	1-1/2"	170	210	250
GG9009	2"	2"	140	180	300



90° Coupling

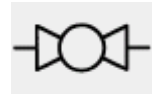
NB: When required - order separately a dowty seal to suit the BSPP threads (eg R04B-08).  
Ref page 4.42 of this catalogue



# BALL VALVES

## GE-2 Series

with Mounting Holes



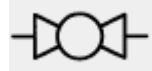
2 PORT MODELS



GE-2

Carbon Steel Part No.	PORTS BSPP	M.W.P bar	BORE mm	Stainless Steel Part No.
GE-2-1/8	1/8"	500	4	-
GE-2-1/4	1/4"	500	6	GE-2-1/4-SS
GE-2-3/8	3/8"	500	10	GE-2-3/8-SS
GE-2-1/2	1/2"	500	13	GE-2-1/2-SS
GE-2-3/4	3/4"	400	20	GE-2-3/4-SS
GE-2-1	1"	350	25	GE-2-1-SS
GE-2-1-1/4R	1 1/4"	350	25	-

## GM-2 Series



2 PORT MODELS

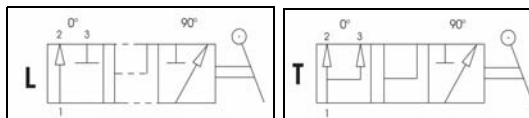


GM-2

Carbon Steel Part No.	PORTS BSPP	M.W.P. bar	BORE mm
GM-2-1-1/4	1-1/4"	350	32
GM-2-1-1/2	1-1/2"	350	40
GM-2-2	2"	350	50

## GE-3 Series

with Mounting Holes



3 PORT MODELS  
Carbon Steel

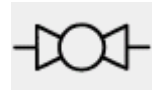


GE-3

L Type Part No.	PORTS BSPP	M.W.P bar	BORE mm	T TyPE Part No.
GE-3-1/4-L	1/4"	400	6	GE-3-1/4-T
GE-3-3/8-L	3/8"	400	10	GE-3-3/8-T
GE-3-1/2-L	1/2"	350	13	GE-3-1/2-T
GE-3-3/4-L	3/4"	350	20	GE-3-3/4-T
GE-3-1-L	1"	350	25	GE-3-1-T
GE-3-1-1/4R-L	1-1/4"	350	25	GE-3-1-1/4R-T

## VBB Series

Low pressure ball valves suitable for use on suction lines



### Standard

Part No.	PORTS BSPP	M.W.P. bar
VBB08	1/4"	25
VBB10	3/8"	25
VBB15	1/2"	25
VBB20	3/4"	25
VBB25	1"	25
VBB32	1 1/4"	25
VBB40	1 1/2"	25
VBB50	2"	25
VBB65	2 1/2"	25
VBB80	3"	25

### Lockable

Part No.	PORTS BSPP	M.W.P. bar
VBBD15L	1/2"	25
VBBD20L	3/4"	25
VBBD25L	1"	25
VBBD32L	1 1/4"	25
VBBD40L	1 1/2"	25
VBBD50L	2"	25

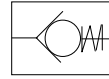
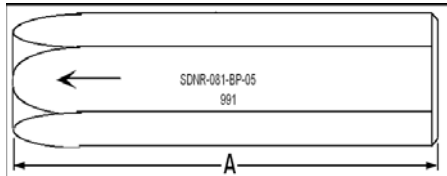


# Section 5

## Accessories

### CHECK VALVES

#### SDNR Series

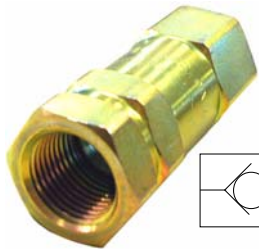


Part No.	Thread	Rated Flow Delta P at 2 BAR		Max. Pressure.		Cracking Pressure **		Dimensions	
		BSP	L/Min	US gpm	BAR	psi	05	65	A
SDNR-041-BP-**	1/4"	13	3.5	415	6160	5 (PSI) (.34 BAR)	65 (PSI) (4.4 BAR)	66.7	22.2
SDNR-061-BP-**	3/8"	25	6.5	300	4350			79.4	24.0
SDNR-081-BP-**	1/2"	60	16	300	4350			98.4	28.5
SDNR-121-BP-**	3/4"	120	32	250	3625			104.0	38.1
SDNR-161-BP-**	1"	200	54	245	3550			127.0	47.6
SDNR-201-BP-**	1 1/4"	300	80	225	3260			152.4	55.0
SDNR-241-BP-**	1 1/2"	400	108	200	2900			175.0	65.0
SDNR-321-BP-**	2"	700	187	130	1880			222.3	75.0

NB: Replace \*\* in part number with cracking pressure

\*Other cracking pressures available on request\*

### CHECK VALVES



Part No.	Thread	Rated Flow delta P@2 BAR		Max. Pressure.		Cracking Pressure
		BSP	L/Min	US GPM	BAR	
VU-14F-14F	1/4"	30	7.9	415	6160	0.35 BAR (5 PSI)
VU-38F-38F	3/8"	45	11.9	300	4350	
VU-12F-12F	1/2"	68	18	300	4350	
VU-34F-34F	3/4"	162	42.8	250	3625	
VU-1F-1F	1"	315	83.3	245	3552	
VU-114F-114F	1-1/4"	290	76.7	225	3262	
VU-112F-112F	1-1/2"	763	207	200	2900	
VU-2F-2F	2"	760	201	130	1885	

Other spring cracking pressures available on request: suffix C = 14.5psi, L = 65psi, U = 116psi (for sizes 1/2"-1-1/4").  
These check valves are also available in stainless steel.

## MICO QUADRIGAGES

### PRESSURE TESTING DEVICES

FOR HYDRAULIC, AIR AND VACUUM SYSTEMS

- \* Includes bleeder screw and convenient hanger
- \* Built-in pressure sensor protects low range gauges from high pressure
- \* Compatible with most hydraulic fluids
- \* Continuous system pressure readings are possible through pressure ranges 0-5000 PSI.



Part No.	GAUGE TYPE	HOSE LENGTH (inches)	LOW PRESSURE GAUGE* RANGE(psig)	MEDIUM PRESSURE GAUGE RANGE(psig)	HIGH PRESSURE GAUGE RANGE(psig)
03-740-019	Std.	36	0-150	0-600	0-5000

# Section 5 Accessories

## Glycerine Filled Dual Scale



Panel Mount  
(inc Panel Mt Kit)



Bottom Entry

## Digital



Digital

Panel Mount - Rear Entry - Dual Scale			
63mm Diameter - Connection = 1/4" BSPP			
Part No.	Diam	BAR	PSI
PG63PM-010	63	10	150
PG63PM-060	63	60	850
PG63PM-100	63	100	1450
PG63PM-160	63	160	2300
PG63PM-250	63	250	3600
PG63PM-400	63	400	5800
100mm Diameter - Connection = 1/2" BSPP			
PG100PM-010	100	10	150
PG100PM-060	100	60	850
PG100PM-100	100	100	1450
PG100PM-160	100	160	2300
PG100PM-250	100	250	3600
PG100PM-400	100	400	5800

Line Mount - Bottom Entry - Dual Scale			
63mm Diameter - Connection = 1/4"BSPP			
Part No.	Diam	BAR	PSI
PG63BE-010	63	10	150
PG63BE-060	63	60	850
PG63BE-100	63	100	1450
PG63BE-160	63	160	2300
PG63BE-250	63	250	3600
PG63BE-400	63	400	5800
PG63BE-600	63	600	8700
PG63BE-BOOT	PROTECTIVE BOOT		
100mm Diameter - Connection = 1/2" BSPP			
PG100BE-010	100	10	150
PG100BE-060	100	60	850
PG100BE-100	100	100	1450
PG100BE-160	100	160	2300
PG100BE-250	100	250	3600
PG100BE-400	100	400	5800
PG100BE-600	100	600	8700
PG100BE-BOOT	PROTECTIVE BOOT		
Line Mount - Bottom Entry - Digital - 1/4"BSPP			
PG80BE-600	80	600	8700
PG80BE-BOOT	PROTECTIVE BOOT		

## Pressure Gauge Isolators

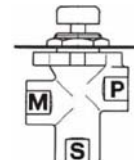
Part No.	PORT BSPP	MAX. PRESSURE BAR	TYPE
EMIL01A	1/4"	250	A 180°
EM9001A	1/4"	250	A 90°
HB1-PA	1/4"	400	Push To Read



EM9001A



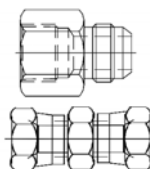
EMIL01A



HB1-PA

## Gauge Adaptors

Part No.	THREAD	THREAD
CP20-0407G	1/4"BSPP-F	7/16"JIC-M
CP20-0409G	1/4"BSPP-F	9/16"JIC-M
CP20-0809G	1/2"BSPP-F	9/16"JIC-M
CP28-0409G	1/4"BSPP-F	9/16"JIC-F
CS25-0707	7/16"JIC-F	7/16"JIC-F
R03-04 GAUGE	O-Ring For 1/4" Gauge Adaptor	

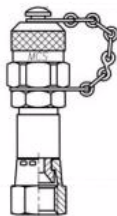


## Gauge Protective Boot

Part No.	Diameter
PG63BE-BOOT	63MM
PG100BE-BOOT	100mm
PG80BE-BOOT	80mm



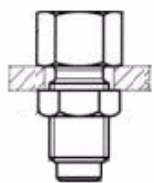
### TEST POINTS - M16X2 (Test 20) SERIES



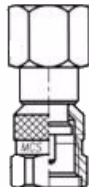
TEST POINT COUPLNG 'A' TYPE M16X2 SERIES		
Part No.	MALE THREAD	M W P BAR
620.01.202.23	1/8" BSPP	400
620.01.204.23	1/4" BSPP	630
620.01.206.23	3/8"BSPP	630
620.01.202.33	1/8" BSPT	400
620.01.204.33	1/4" BSPT	630
620.01.206.33	3/8"BSPT	630
620.01.302.33	1/8" NPT	400
620.01.304.33	1/4" NPT	630
620.01.404.03	7/16" UNO	630
620.01.406.03	9/16" UNO	630
620.01.010.23	M10x1	400
620.01.012.23	M12x1.5	630
620.01.014.23	M14x1.5	630
620.01.016.23	M16x1.5	630
Part No.	FEMALE THREAD	M W P BAR
620.07.204.83	1/4"BSPP-F	630
620.05.404.03	7/16" JIC-F	345
620.05.406.03	9/16" JIC-F	345
620.05.408.03	3/4" JIC-F	345

Style 1

Style 2



A  
B

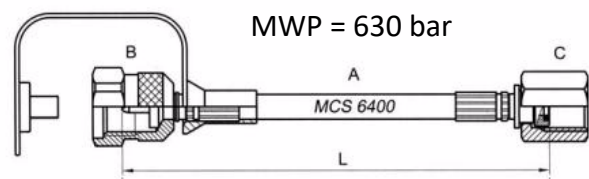


### TEST POINT TO GAUGE ADAPTORS

Part No.	Style	THREAD A	THREAD B	M.W.P. (BAR)
620.08.204.00.1	1	1/4" BSPP-F	M16 X 2 (M-B/HD)	630
620.08.208.00.1	1	1/2" BSPP-F	M16 X 2 (M-B/HD)	630
620.09.204.00.1	2	1/4" BSPP-F	M16 X 2 (F)	630
620.09.208.00.1	2	1/2" BSPP-F	M16 X 2 (F)	630

### TEST POINT HOSES 2mm ID

64 - 10.162 - 50.204 - 200  
 A      B      C      L



HOSE ASSEMBLIES 630BAR MWP
Part No. (includes length in mm)
64-10.162-50.204-200
64-10.162-50.204-300
64-10.162-50.204-400
64-10.162-50.204-500
64-10.162-50.204-600
64-10.162-50.204-800
64-10.162-50.204-1000
64-10.162-50.204-1500
64-10.162-50.204-2000
64-10.162-50.204-2500
64-10.162-50.204-3000

HOSE & COUPLING OPTIONS	
Part No.	THREAD
6400	DN2 Hose 2mm ID
00.002	Ferrule
801.10.162.00	M16X2 (Test 20)
801.60.204.00	1/4"BSPP-F (60° Seat)
801.50.204.00	1/4" BSPP-F(gauge)
801.54.204.00	1/4"BSPP-F-90°(gauge)
801.50.208.00	1/2" BSPP-F (gauge)
801.60.404.00	7/16" JIC-F
801.60.406.00	9/16" JIC-F

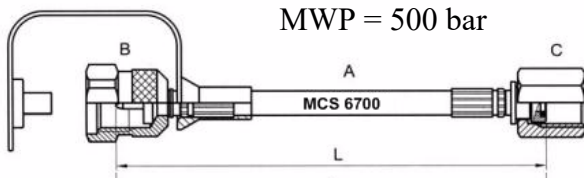
NB: Use the highlighted part of the coupling Part No. in the hose assembly Part No.

NB: The listed hose assemblies have the 10.162 coupling at one end, and the 50.204 coupling at the other. For other options delete the listed codes from the model number and add the code for the desired thread type. Use an add & subtract to the list price for pricing.

# Section 5 Accessories

## TEST POINT HOSES 4mm ID

67 - 10.162 - 60.204 - 200  
A B C L



HOSE & COUPLING OPTIONS	
Part No.	THREAD
6700	DN4 Hose 4mm ID
00.004	Ferrule
804.10.162.00	M16X2 (Test 20)
804.60.204.00	1/4" BSPP-F (60° Seat)
804.50.204.00	1/4" BSPP-F(gauge)
804.80.302.00	1/8" NPT-Male
804.60.404.00	7/16" JIC-F
804.60.406.00	9/16" JIC-F

NB: Use the highlighted part of the coupling Part No. in the hose assembly Part No.

## TEST POINT TEES

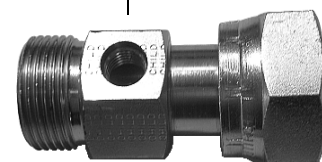
Southcott test point tees provide a convenient method of taking pressure readings from any point in a hydraulic system. Compact in size, they can be fitted as a temporary or permanent installation at a cost-effective price.

JIC			
Part No.	Male Thread	Female Thread	Test Point Thread
C27G-070707	7/16" JIC-M	7/16" JIC-F	7/16" UNO-F
C27G-090907	9/16" JIC-M	9/16" JIC-F	7/16" UNO-F
C27G-121207	3/4" JIC-M	3/4" JIC-F	7/16" UNO-F
C27G-141407	7/8" JIC-M	7/8" JIC-F	7/16" UNO-F
C27G-171707	1-1/16" JIC-M	1-1/16" JIC-F	7/16" UNO-F
C27G-212107	1-5/16" JIC-M	1-5/16" JIC-F	7/16" UNO-F
C27G-262607	1-5/8" JIC-M	1-5/8" JIC-F	7/16" UNO-F

BSPP			
Part No.	Male Thread	Female Thread	Test Point Thread
CP24G-040407	1/4" BSPP-M	1/4" BSPP-F	7/16" UNO-F
CP24G-060607	3/8" BSPP-M	3/8" BSPP-F	7/16" UNO-F
CP24G-080807	1/2" BSPP-M	1/2" BSPP-F	7/16" UNO-F
CP24G-121207	3/4" BSPP-M	3/4" BSPP-F	7/16" UNO-F
CP24G-161607	1" BSPP-M	1" BSPP-F	7/16" UNO-F
CP24G-202007	1-1/4" BSPP-M	1-1/4" BSPP-F	7/16" UNO-F

ORFS			
Part No.	Male Thread	Female Thread	Test Point Thread
F27G-111107	11/16" UNF-M	11/16" UNF-F	7/16" UNO-F
F27G-131307	13/16" UNF-M	13/16" UNF-F	7/16" UNO-F
F27G-161607	1" UNF-M	1" UNF-F	7/16" UNO-F
F27G-191907	1-3/16" UNF-M	1-3/16" UNF-F	7/16" UNO-F
F27G-232307	1-7/16" UNF-M	1-7/16" UNF-F	7/16" UNO-F
F27G-272707	1-11/16" UNF-M	1-11/16" UNF-F	7/16" UNO-F

USA Test Point      European Test Point Test 20      Port Plug  
DF04-1/14SAE-M      620.01.404.03      C77-07





### HYDRAULIC TUBE



Cold Drawn Seamless Tube - Annealed ASTM A179  
 6.0m Lengths  
 Supplied in Full Lengths Only.  
 Other Sizes and Gauges are Available on Request

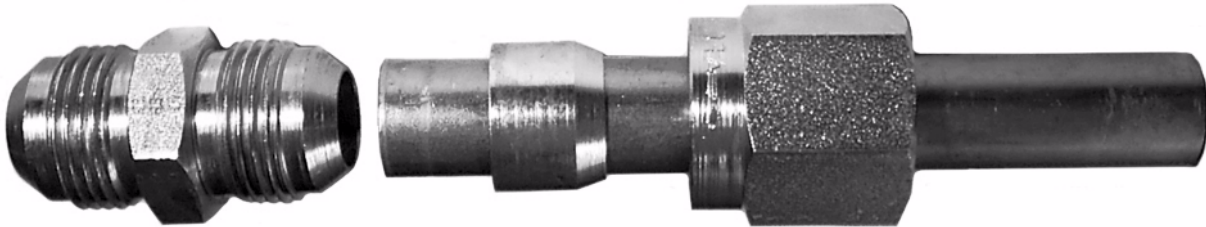
SIZE	WORKING PRESSURE WITH 3:1 SAFTY FACTOR		Wall Dim.	WEIGHT PER Length	UNPLATED Per 6m Length	ZINC PLATED Per 6m Length
	BAR	PSI				
OD(Inches) x GAUGE	BAR	PSI	mm	Kg	Part No	Part No
1/4" x 20g x 6.0m	311	4512	0.91	0.73	T0420	T0420P
3/8" x 16g x 6.0m	369	5348	1.63	1.94	T0616	T0616P
3/8" X 18g x 6.0m	277	4011	1.22	1.53	T0618	T0618P
1/2" x 16g x 6.0m	277	4011	1.63	2.75	T0816	T0816P
1/2" x 18g x 6.0m	207	3008	1.22	2.10	T0818	T0818P
5/8" x 14g x 6.0m	277	4011	2.03	4.23	T1014	T1014P
5/8" x 16g x 6.0m	221	3209	1.63	3.48	T1016	T1016P
3/4" x 12g x 6.0m	299	4342	2.64	6.51	T1212	T1212P
3/4" x 14g x 6.0m	230	3342	2.03	5.19	T1214	T1214P
3/4" x 16g x 6.0m	184	2674	1.63	4.27	T1216	T1216P
1" x 10g x 6.0m	277	4011	3.25	10.83	T1610	T1610P
1" x 12g x 6.0m	236	3415	2.77	9.04	T1612	T1612P
1" x 14g x 6.0m	173	2507	2.03	7.14	T1614	T1614P
1" x 16g x 6.0m	138	2005	1.63	5.83	T1616	T1616P
1.1/4" x 10g x 6.0m	221	3209	3.25	13.93	T2010	T2010P
1.1/2" x 10g x 6.0m	184	2674	3.25	17.02	T2410	T2410P
2" x 7g x 6.0m	190	2757	4.47	31.17	T3207	N/A

NB: Pricing per 6.0m length.

**NB: The above working pressure rating is based on "BARLOWS" Formula**

- P = 2ST/D Where P = Burst Pressure (PSI)
- S = UTS (47000)
- T = Wall Thickness (inches)
- D = O.D. of tube (inches)

### FLARELESS TUBE COMPRESSION FITTINGS



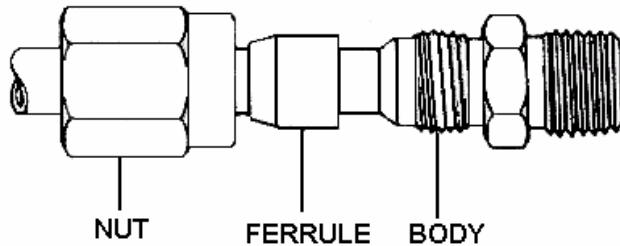
#### Assembly Instructions

##### INITIAL ASSEMBLY

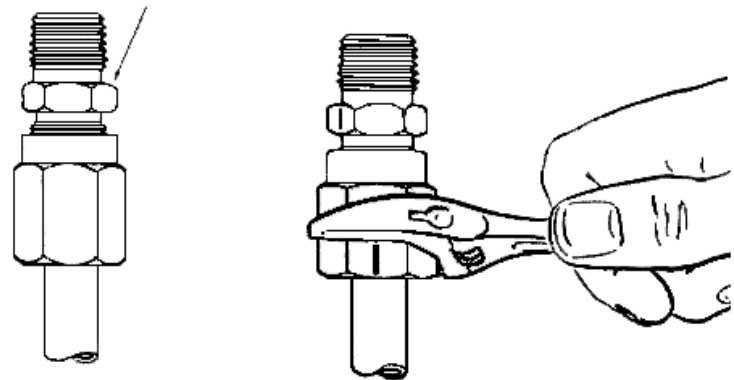
1. Cut the tube squarely and deburr the end internally and externally. Clean all dirt and grit from I.D. and O.D.
2. Slide the nut and then the sleeve on to the tube. Make sure the tapered end of the sleeve points toward the nut.
3. **Lubricate all mating surfaces of nut, sleeve and body with heavy lubricant.**
4. Place end of tube against standard J.I.C. 37 Degree flare body.
5. Slide the sleeve and nut against body and tighten the nut onto the body "hand Tight". Mark the nut in relation to the body for location.
6. Hold tube against body and tighten nut total of 1-1/4 turns for sizes 1/4" to 5/8" and 1-1/2 turns for sizes 3/4" to 1-1/4"

##### REASSEMBLY

1. Slide nut against the body and tighten to "Hand Tight". Mark the nut for location.
2. Tighten nut a minimum of one "Hex" flat. The Versa flare Flareless Tube fitting is designed for 10 reassemblies.



TIGHTEN WITH HAND



TUBE O.D.	JIC THREAD	NUT	SLEEVE
1/4"	7/16"	VN-04	VS-04
3/8"	9/16"	VN-06	VS-06
1/2"	3/4"	VN-08	VS-08
5/8"	7/8"	VN-10	VS-10
3/4"	1 1/16"	VN-12	VS-12
1"	1 5/16"	VN-16	VS-16
1 1/4"	1 5/8"	VN-20	VS-20



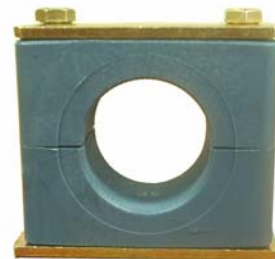
# Section 5

## Accessories

### POLYPROPYLENE CLAMPS

**Standard Duty**  
Two Cap Screws & Washer  
Type C2 - C7

**Medium Duty**  
Top Plate and Hex Bolts  
Type C2 - C7



GROUP	SIZE - OD			Jaws Only Part No.	Std. Duty Complete Part o.	Med. Duty Complete Part No.
	mm	Inches	Water Pipe			
C2	6	1/4"	1/8"GAS 1/4"GAS	C2S-**	C2-**	C2-**-M
	8	5/16"				
	10	3/8"				
	12					
	12.7	1/2"				
C3	14		1/4"GAS 3/8"GAS	C3S-**	C3-**	C3-**-M
	15					
	16	5/8"				
	18					
C4	19	3/4"	1/2"GAS	C4S-**	C4-**	C4-**-M
	20					
	22	7/8"				
	23					
C5	25	1"	3/4"GAS	C5S-**	C5-**	C5-**-M
	28					
	30					
C6	32	1-1/4"	1"GAS 1-1/4"GAS	C6S-**	C6-**	C6-**-M
	35					
	38	1-1/2"				
	40					
	42					
C7	45		1 1/2"GAS	C7S-**	C7-**	C7-**-M
	44.5	1 3/4"				
	48.3					
	50.8	2"				

NB: To complete the model code, replace \*\* with the Size, i.e. 5/8" = 5/8



## CLAMP COMPONENTS

SIZE ->	C2	C3	C4	C5	C6	C7
DESCRIPTION	Part No	Part No	Part No	Part No	Part No	Part No
Top Plate	PS2	PS3	PS4	PS5	PS6	PS7
Base Plate	P2	P3	P4	P5	P6	P7
Ext Base Plate	PL2	PL3	PL4	PL5	PL6	PL7
Cap Screw	S-C1/C2	S-C3	S-C4	S-C5	S-C6	S-C7
Washer	W	W	W	W	W	W
Hex Bolt	VE1/2	VE3	VE4	VE5	VE6	VE7
Stacking Bolt	VA1/2	VA3	VA4	VA5	VA6	VA7

TRACK MOUNT	
Part No	Description
BB	Track
DF6	NUT
DF8	NUT

DOUBLE PLATE			MULTIPLE PLATE		
Part No	Suit Clamp Type	No. Clamp	Part No	Suit Clamp Type	No. Clamp
PD1	C1	2	PM1	C1	10
PD2	C2	2	PM2	C2	10
PD3	C3	2	PM3	C3	10
PD4	C4	2	PM4	C4	10
PD5	C5	2	PM5	C5	5
PD6	C6	2	PM6	C6	5
PD7	C7	2	PM7	C7	5



PD Double Plate

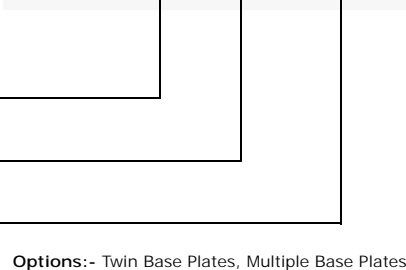


PM Multiple Plate

### ORDERING CODE

Type
Size
GAS = GAS PIPE
(Omit if not applicable)

C2 - 1/8 - GAS - M - PL

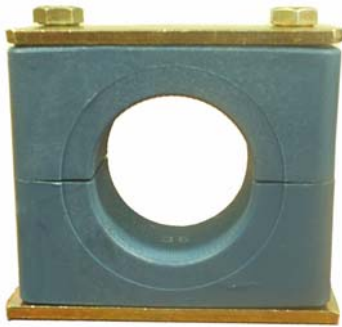


EXT. Base Plate
(Omit if not required)
Series
S = Standard Duty
M = Medium Duty

Options:- Twin Base Plates, Multiple Base Plates



# Section 5 Accessories



## HEAVYWEIGHT SERIES

**HEAVYWEIGHT SERIES:** in polypropylene or self-extinguishing polyamide for pipes from 6 to 324 mm. for metric sizes, from 1/8" to 12" for gas inch sizes, from 1/4" to 8" for English inch sizes. It's recommended for complicated systems, for high pressure and considerable oil speed. The upper plates are also supplied in this series. High hexagon head bolts VACP are used in the stacked mounting.

CP3 - 1 1/2 - CS

### ORDERING CODE

Type	
Size	
GAS = GAS PIPE	
(Omit if not applicable)	

Group	Size - OD			Heavy Duty Jaws Only Part No.	Heavy Duty Complete Model
	mm	Inches	Pipe		
CP1		1/4		CP1S-**-CS	CP1-**-CS
		3/8	1/8"GAS		
		1/2	1/4"GAS		
		5/8	3/8"GAS		
		3/4			
CP2	20	3/4		CP2S-**-CS	CP2-**-CS
	22	7/8	1/2"GAS		
	25	1	3/4"GAS		
	28				
	30				
CP3	30	1 1/4	1"GAS	CP3S-**-CS	CP3-**-CS
	32		1-1/4"GAS		
	42	1 1/2			
	45				
CP4	42	2"	1"GAS	CP4S-**-CS	CP4-**-CS
	45		1-1/4"GAS		
	53		1-1/2"GAS		
	54		2"GAS		
	63				
	65				

NB: TO COMPLETE THE model Code Replace \*\* with the Size, i.e. 7/8" = 7/8

### Component Pricing

SIZE ->	CP1	CP2	CP3	CP4
Description	Part No	Part No	Part No	Part No
Top Plate	TP-CP1-CS	TP-CP2-CS	TP-CP3-CS	TP-CP4-CS
Base Plate	BP-CP1-CS	BP-CP2-CS	BP-CP3-CS	BP-CP4-CS
Hex Bolt	S-CP1-CS	S-CP2-CS	S-CP3-CS	S-CP4-CS
Stacking Bolt	VA-CP1	VA-CP2	VA-CP3	VA-CP4

# Section 5 Accessories



## CF SERIES



CF3 - 1/2 - 1/2 - GAS

### ORDERING CODE

Type	
Size	
GAS = GAS PIPE	
(Omit if not applicable)	

GROUP	SIZE - OD			TWIN CLAMP JAWS ONLY Part No.	TWIN CLAMP COMPLETE Part No.
	MM	Inches	Pipe		
CF1	6-6	1/4" - 1/4" 3/8" - 3/8" 1/2" - 1/2"		CF1S-**-**	CF1-**-**
	8-8				
	10-10				
	12-12				
CF2	14-14	1/2 - 1/2 5/8 - 5/8		CF2S-**-**	CF2-**-**
	15-15		1/4-1/4GAS		
	16-16		3/8-3/8GAS		
	18-18				
CF3	20-20	3/4" - 3/4" 1" - 1"		CF3S-**-**	CF3-**-**
	22-22		1/2-1/2GAS		
	25-25				
CF4	26-26			CF4S-**-**	CF4-**-**
	28-28		3/4-3/4GAS		
	30-30				
CF5	33-33	1 1/4" - 1 1/4" 1 1/2" - 1 1/2"		CF5S-**-**	CF5-**-**
	35-35		1-1GAS		
	38-38		1-1/4-1-1/4GAS		
	42-42				

NB: To Complete The Model Code Replace \*\*-\*\* With the Size, ie 3/8"-3/8"=3/8-3/8

### Component Pricing

SIZE ->	CF1	CF2	CF3	CF4	CF5
DESCRIPTION	Part No	Part No	Part No	Part No	Part No
TOP PLATE	TP-CF1	TP-CF2	TP-CF3	TP-CF4	TP-CF5
BASE PLATE	BP-CF1	BP-CF2	BP-CF3	BP-CF4	BP-CF5
HEX BOLT	S-CF1	S-CF2	S-CF3	S-CF4	S-CF5
STACKING BOLT	VA-CF1	VA-CF2	VA-CF3	VA-CF4	VA-CF5

\*Available on Request - Minimum Order Quantities May Apply

### PIPE CLAMP SELECTION CHART TO SUIT HYDRAULIC HOSE



Clamp is nearest possible to hose OD

Pipe Clamp Selection Chart

Standard/Medium Single

Hose ID inch	Hose OD mm	G1	Hose OD mm	G2	Hose OD mm	G3K/G4K	Hose OD mm	GMV
1/4	13.5	C3-1/4GAS	15.0	C3-15	-	-	-	-
3/8	17.3	C3-3/8GAS	18.8	C3-18	20.3	C4-20	-	-
1/2	20.3	C4-20	21.8	C4-22	23.9	C4-23	-	-
5/8	23.6	C4-23	25.1	C4-25	27.7	C4-28	-	-
3/4	27.7	C5-28	29.2	C5-30	30.7	C5-30	31.0	C5-32
1	35.6	C6-35	37.6	C6-38	38.1	C6-38	36.8	C6-38
1-1/4	43.4	C6-42	47.2	C7-48.3	47.0	C7-48.3	44.7	C6-45
1-1/2	49.8	C7-50.8	53.6	C7-54	53.6	C7-54	49.5	C7-50.8
2	63.8	CP4-65-CS	66.5	CP4-65-CS	66.8	CP4-65-CS	62.7	CP4-2-1/2-CS

Heavy Single

Hose ID inch	Hose OD mm	G1	Hose OD mm	G2	Hose OD mm	G3K/G4K	Hose OD mm	GMV
1/4	13.5	CP1-1/4GAS-CS	15.0	-	-	-	-	-
3/8	17.3	CP1-3/8GAS-CS	18.8	-	20.3	-	-	-
1/2	20.3	CP2-20-CS	21.8	CP2-22-CS	23.9	CP2-23-CS	-	-
5/8	23.6	CP2-22-CS	25.1	CP2-25-CS	27.7	CP2-28-CS	-	-
3/4	27.7	CP2-28-CS	29.2	CP2-30-CS	30.7	CP2-30-CS	31.0	CP3-32-CS
1	35.6	-	37.6	-	38.1	-	36.8	-
1-1/4	43.4	CP3-42-CS	47.2	-	47.0	-	44.7	CP3-45-CS
1-1/2	49.8	-	53.6	CP4-54-CS	53.6	CP4-53-CS	49.5	-
2	63.8	CP4-65-CS	66.5	CP4-65-CS	66.8	CP4-65-CS	62.7	CP4-2-1/2-CS

Standard Twin

Hose ID inch	Hose OD mm	G1	Hose OD mm	G2	Hose OD mm	G3K/G4K	Hose OD mm	GMV
1/4	13.5	CF2-14-14	15.0	CF2-15-15	-	-	-	-
3/8	17.3	CF2-16-16	18.8	CF2-18-18	20.3	CF3-20-20	-	-
1/2	20.3	CF3-20-20	21.8	CF3-22-22	23.9	-	-	-
5/8	23.6	-	25.1	CF3-25-25	27.7	CF4-28-28	-	-
3/4	27.7	CF4-28-28	29.2	CF4-30-30	30.7	CF4-30-30	31.0	CF4-30-30
1	35.6	CF5-35-35	37.6	CF5-38-38	38.1	CF5-38-38	36.8	-



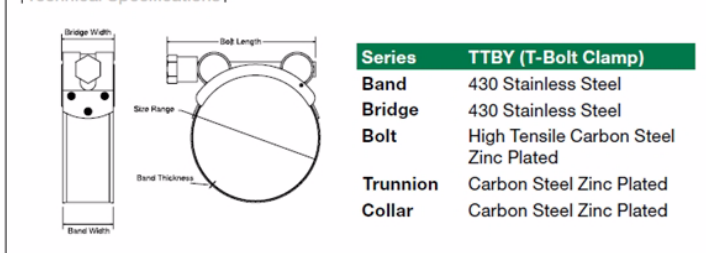
## T-Bolt Clamps

### TTBY Series - Part Stainless Steel, Heavy Duty

- For heavy duty applications where large tightening forces are required
- 430 stainless steel band and bridge - carbon steel plated bolt
- Rolled edge to prevent hose damage
- Solid trunnions with hex head bolt
- Superior sealing - tighter seals at lower bolt torques
- Extra solid construction
- Australian made



#### Technical Specifications



#### Dimensions - Band and Bolt

Ref.	Band Width	Bridge Width	Band Thickness	Bolt	Bolt Length
1	16mm	18mm	0.7mm	M5	40mm
2	20mm	22mm	0.7mm	M6	55mm
3	24mm	27mm	1.0mm	M8	80mm
4	26mm	29mm	1.2mm	M10	105mm

Part Number	Suit Hose Type	Part Number	Suit Hose Type	Part Number	Suit Hose Type
Adjustment Range		Adjustment Range		Adjustment Range	
TTBY17-19P		TTBY52-55P		TTBY104-112P	
TTBY18-20P		TTBY54-57P		TTBY108-116P	
TTBY20-22P		TTBY56-59P		TTBY113-121P	
TTBY21-23P		TTBY58-61P		TTBY117-125P	
TTBY23-25P		TTBY60-63P	32GMV	TTBY122-130P	
TTBY24-26P		TTBY62-65P		TTBY126-134P	
TTBY26-28P		TTBY64-67P		TTBY131-139P	
TTBY27-29P		TTBY66-70P		TTBY140-148P	
TTBY29-31P	12GMV	TTBY68-73P	36GMV	TTBY149-161P	
TTBY30-33P		TTBY71-76P		TTBY162-174P	
TTBY32-35P		TTBY74-79P	40GMV	TTBY175-187P	
TTBY34-37P	16GMV	TTBY77-82P		TTBY188-200P	
TTBY36-39P		TTBY80-85P		TTBY201-213P	
TTBY38-41P		TTBY83-88P		TTBY214-226P	
TTBY40-43P		TTBY86-91P	48GMV	TTBY227-239P	
TTBY42-45P		TTBY89-94P		TTBY240-252P	
TTBY44-47P	20GMV	TTBY92-97P		TTBY253-265P	
TTBY46-49P		TTBY95-100P		TTBY266-278P	
TTBY48-51P	24GMV	TTBY98-103P	56GMV	TTBY279-291P	
TTBY50-53P		TTBY101-107P		TTBY292-304P	

NB: MM-SD = MultiMaster™ SD Megaflex® hose

### T-Bolt Clamps

#### TTBS Series - All Stainless Steel, Heavy Duty

- For heavy duty applications where large tightening forces are required
- All 300 series stainless steel for corrosion protection
- Rolled edge to prevent hose damage
- Solid trunnions with hex head bolt
- Superior sealing - tighter seals at lower bolt torques
- Extra solid construction
- Australian made



Technical Specifications

Series	TTBS (T-Bolt Clamp)
Band	304 Stainless Steel
Bridge	304 Stainless Steel
Bolt	High Tensile 316 Stainless Steel
Trunnion	300 Series Stainless
Collar	300 Series Stainless

#### Dimensions - Band and Bolt

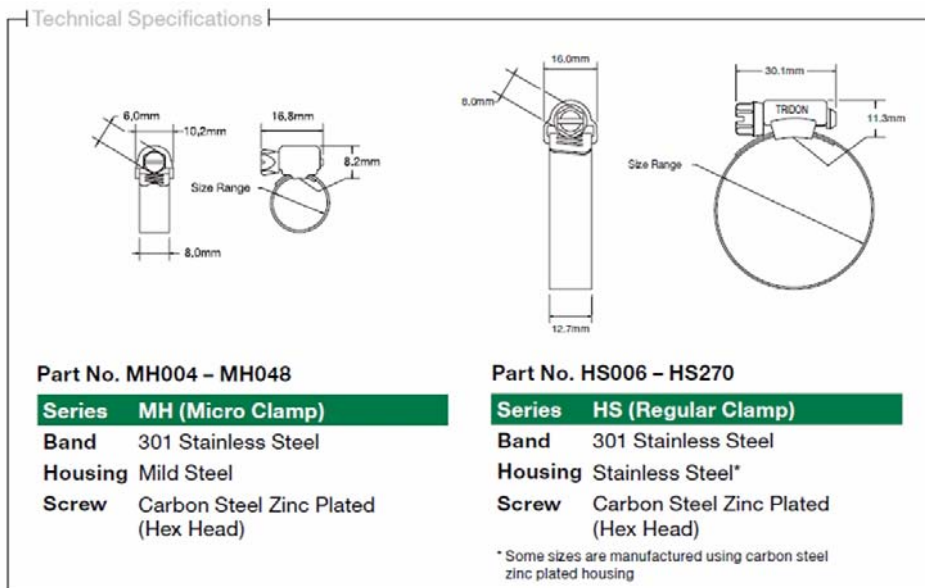
Ref.	Band Width	Bridge Width	Band Thickness	Bolt	Bolt Length
1	16mm	18mm	0.7mm	M5	40mm
2	20mm	22mm	0.7mm	M6	55mm
3	24mm	27mm	1.0mm	M8	80mm
4	26mm	29mm	1.2mm	M10	105mm

Part Number	Suit Hose Type		Part Number	Suit Hose Type		Part Number	Suit Hose Type	
Adjustment Range			Adjustment Range			Adjustment Range		
TTBS17-19P			TTBS52-55P			TTBS104-112P		
TTBS18-20P			TTBS54-57P			TTBS108-116P		
TTBS20-22P			TTBS56-59P			TTBS113-121P		
TTBS21-23P			TTBS58-61P			TTBS117-125P		
TTBS23-25P			TTBS60-63P	32GMV	PROS51	TTBS122-130P		
TTBS24-26P			TTBS62-65P			TTBS126-134P		
TTBS26-28P			TTBS64-67P			TTBS131-139P		
TTBS27-29P			TTBS66-70P			TTBS140-148P		
TTBS29-31P	12GMV	PROS19	TTBS68-73P	36GMV		TTBS149-161P		
TTBS30-33P			TTBS71-76P			TTBS162-174P		
TTBS32-35P			TTBS74-79P	40GMV		TTBS175-187P		
TTBS34-37P	16GMV	PROS25	TTBS77-82P			TTBS188-200P		
TTBS36-39P			TTBS80-85P			TTBS201-213P		
TTBS38-41P			TTBS83-88P			TTBS214-226P		
TTBS40-43P		PROS32	TTBS86-91P	48GMV		TTBS227-239P		
TTBS42-45P			TTBS89-94P			TTBS240-252P		
TTBS44-47P	20GMV		TTBS92-97P			TTBS253-265P		
TTBS46-49P			TTBS95-100P			TTBS266-278P		
TTBS48-51P	24GMV	PROS38	TTBS98-103P	56GMV		TTBS279-291P		
TTBS50-53P			TTBS101-107P			TTBS292-304P		

## Perforated Band Clamps

### MH (Micro) & HS (Regular) Series - Part Stainless Steel

- For automotive and general purpose use
- 301 stainless steel band
- Built to SAE J1508 standard
- Low free torque for ease of installation
- Flexible band for superior sealing. Conforms to hose
- High strength for reliable sealing
- Australian made



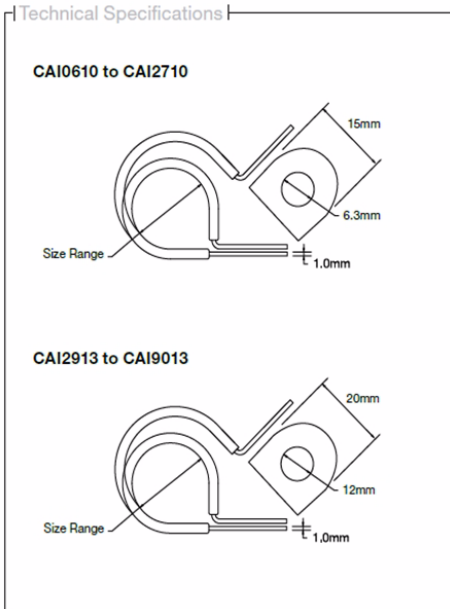
MH Range (Micro Clamp)	
Part Number	Range (mm)
MH004	6-16
MH005	11-18
MH006	11-22
MH008	13-25
MH010	14-27
MH012	17-32
MH016	18-38
MH020	22-45
MH024	33-51
MH028	40-57
MH032	46-64
MH036	52-70
MH040	59-76
MH048	65-89

HS Range (Regular Clamps)			
Part Number	Range (mm)	Part Number	Range (mm)
HS006	11-22	HS060	84-108
HS008	13-25	HS064	90-114
HS010	14-27	HS072	103-127
HS012	18-32	HS080	117-140
HS016	21-38	HS084	125-146
HS020	21-44	HS088	106-152
HS024	27-51	HS096	115-165
HS028	33-57	HS104	133-178
HS032	40-64	HS116	146-197
HS036	46-70	HS120	159-206
HS040	52-76	HS128	175-217
HS044	59-83	HS136	181-225
HS048	65-89	HS152	206-251
HS052	71-95	HS164	222-273
HS056	78-102	HS188	260-311

### CAI Series

#### Vinyl Coated Clamps

- For use in holding pipes, hoses, tubing, cables etc
- Coated mild steel
- Ideal for automotive, plumbing, construction, marine, industrial electrical, power equipment, lawn and garden applications

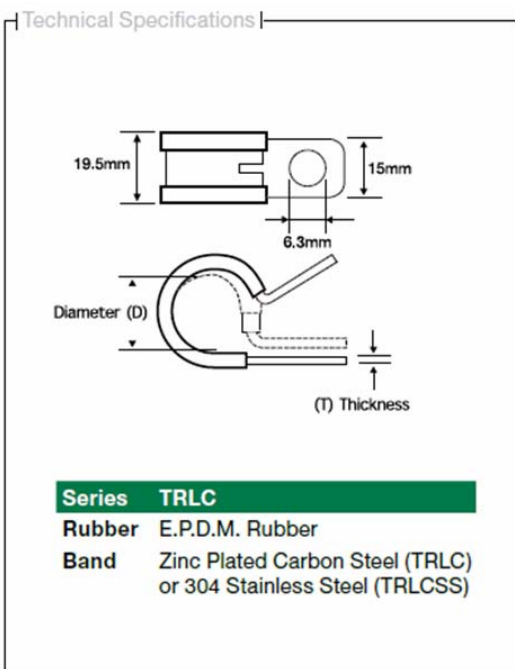


CAI Series (Vinyl Coated Clamps)			
Part Number	Range (mm)	Part Number	Range (mm)
CAI0610P	15mm wide 6.3mm hole	CAI2913P	20mm wide 12mm hole
CAI0810P		CAI3013P	
CAI1010P		CAI3213P	
CAI1110P		CAI3313P	
CAI1310P		CAI3813P	
CAI1410P		CAI4013P	
CAI1610P		CAI4413P	
CAI1810P		CAI4613P	
CAI1910P		CAI5113P	
CAI2110P		CAI5213P	
CAI2410P		CAI5713P	
CAI2510P		CAI6413P	
CAI2710P		CAI6713P	
		CAI7013P	
	CAI7313P		
	CAI9013P		

### TRLC Series

#### Rubber Lined Clamps

- For pipes, cables, groups of cables, hoses etc
- Zinc plated carbon steel band (304 stainless steel available)
- On closing band adapts itself easily to the dimensions and shape required
- Excellent impact and vibration absorption



TRLC Series (Rubber Lined Clamps)			
Part Number	Thickness (mm)	Part Number	Thickness (mm)
TRLC6P	0.8	TRLC32P	1.3
TRLC8P	0.8	TRLC33P	1.3
TRLC10P	0.8	TRLC35P	1.3
TRLC11P	0.8	TRLC37P	1.3
TRLC13P	1.0	TRLC38P	1.3
TRLC14P	1.0	TRLC39P	1.3
TRLC16P	1.0	TRLC42P	1.3
TRLC18P	1.0	TRLC44P	1.3
TRLC19P	1.0	TRLC47P	1.3
TRLC21P	1.0	TRLC51P	1.3
TRLC22P	1.0	TRLC54P	1.3
TRLC25P	1.0	TRLC60P	1.3
TRLC27P	1.3	TRLC64P	1.3
TRLC29P	1.3	TRLC74P	1.3
TRLC30P	1.3	TRLC110P	1.3