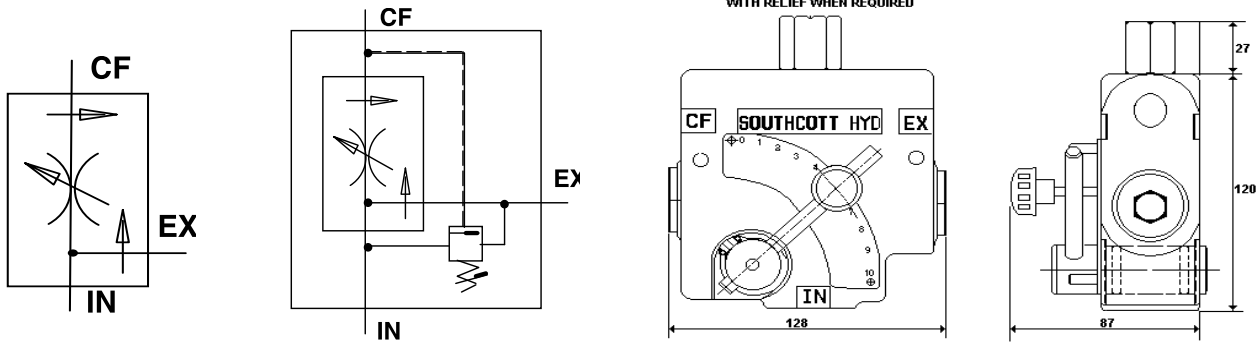


FLOW REGULATORS

SFR3 Series

Pressure compensated
 Designed to supply two circuits with a single pump.
 Maximum pressure - 210 BAR (3000 PSI)
 Lever is adjustable through 90°
 Port "IN" = Pressure port
 Port "CF" = Controlled flow
 Port "EX" = Excess flow (can be used to power a second circuit)



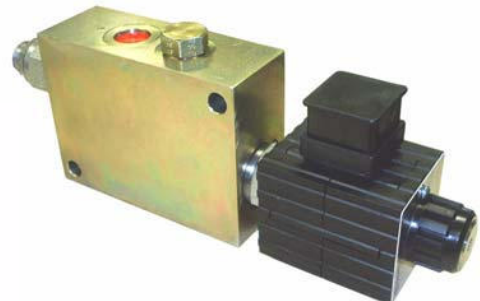
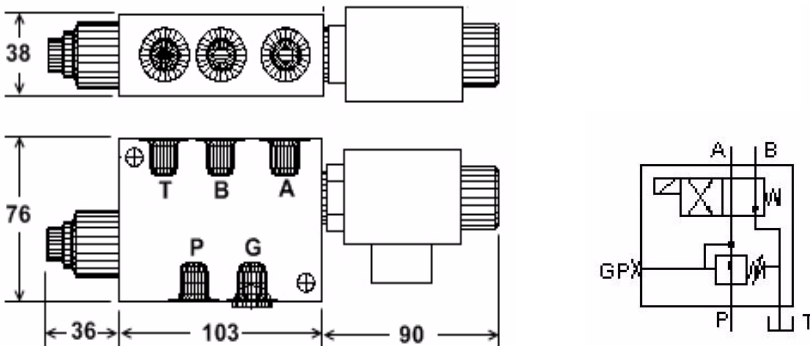
UNITS WITHOUT RELIEF VALVE			UNITS WITH RELIEF VALVE	
Part No.	Reg.Flow L/Min	Ports BSPP	Part No.	
SFR3-N-L-08-BP-09	0-9	1/2"	SFR3-R-L-08-BP-09	
SFR3-N-L-08-BP-18	0 - 18	1/2"	SFR3-R-L-08-BP-18	
SFR3-N-L-08-BP-30	0 - 30	1/2"	SFR3-R-L-08-BP-30	
SFR3-N-L-08-BP-60	0 - 60	1/2"	SFR3-R-L-08-BP-60	
SFR3-N-L-12-BP-60	0 - 60	3/4"	SFR3-R-L-12-BP-60	
SFR3-N-L-12-BP-114	0 - 114	3/4"	SFR3-R-L-12-BP-114	

SOUTHCOTT QUICK HITCH VALVE

SQHV series

This **Quick Hitch Valve** has a pressure reducing valve on the input line to control the output pressure. It is also equipped with a two position solenoid operated directional control valve all in one neat, compact, easy to mount steel block.

The unit provides a means of quickly changing the buckets and attachments of an excavator. (cylinder not included)



Part No.	PORTS	VOLTAGE	M.W.P. BAR
SQHV-091-UN-12DC	9/16"UNO	12 VOLT	345
SQHV-091-UN-24DC	9/16"UNO	24 VOLT	345

COILS & CONNECTOR	
Part No.	VOLTAGE
60191-12DG	12DC
60191-24DG	24DC
SP-KA-DC	CONN.

Coil & connector included in the above price.