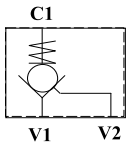




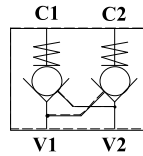
LOCK VALVES



S1PNR Series

SINGLE LOCK VALVE

Body material: Aluminium

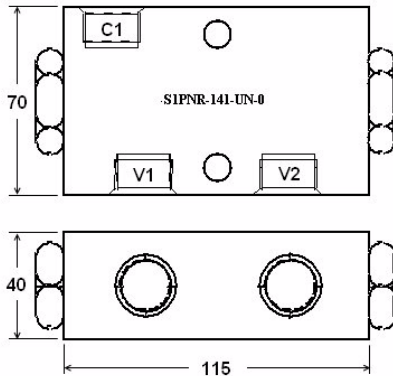


S2PNR Series

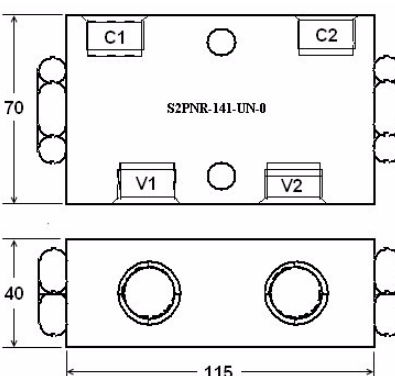
DOUBLE LOCK VALVE

Body material: Aluminium

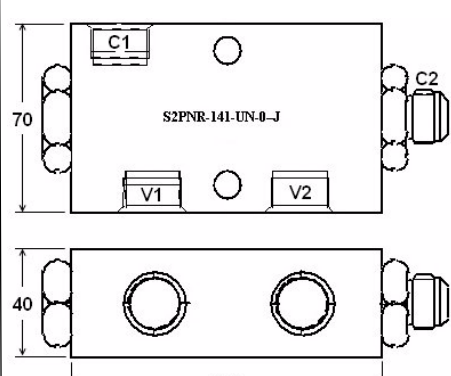
S1PNR SERIES



S2PNR SERIES LINE MOUNT



S2PNR SERIES - TYPE J CYLINDER MOUNT



Part No.	TYPE	PORTS	PILOT RATIO	MAX FLOW L/MIN	MAX PRESS BAR
S1PNR-141-UN-0	Line Mount - Lock on C1	7/8" UN'O'	4:1	60	210
S1PNR-141-UN-0-JC1	Cylinder Mount, lock on C1	7/8" UN'O'			
S1PNR-141-UN-0-JC2	Cylinder Mount, lock on C2	7/8" UN'O'			
S2PNR-061-BP-0	Line Mount	3/8" BSPP			
S2PNR-081-BP-0	Line Mount	1/2" BSPP			
S2PNR-081-BP-0-J	Cylinder Mount	1/2" BSPP			
S2PNR-141-UN-0	Line Mount	7/8" UN'O'			
S2PNR-141-UN-0-J	Cylinder Mount	7/8" UN'O'			
S2PNR-141-UN-0-2J	Tube Mount	7/8" UN'O'			
S2PNR-141-UN-0-M	Line Mount - Marine	7/8" UN'O'			

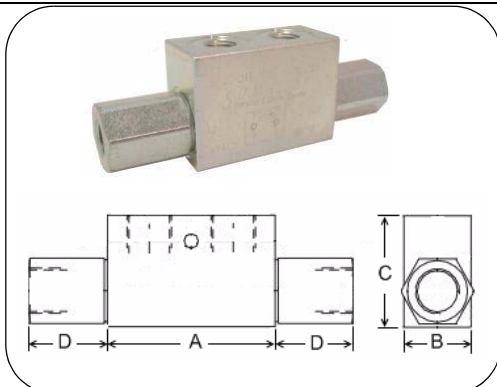
COMPACT STYLE LOCK VALVES - ALUMINIUM BODY



Part No.	TYPE	PORTS UN'O"	PILOT RATIO	MAX FLOW L/MIN	MAX PRESS BAR
S1PNR-091-UN-0-C	Single Lock	9/16"	4:1	20	210
S2PNR-091-UN-0-C	Double Lock	9/16"			
S2PNR-091-UN-0-2J	DBL Tube Mt	9/16"			

DOUBLE LOCK VALVES - STEEL BODY

Seal on piston - 4:1 ratio



Part No.	PORTS BSPP	Dimensions mm				Max Flow l/min	MWP BAR
		A	B	C	D		
SPOC-04B-D1-ST	1/4"	63	30	45	31.5	30	350
SPOC-06B-D1-ST	3/8"	80	30	50	32	50	300
SPOC-08B-D1-ST	1/2"	90	40	60	40.5	80	300
SPOC-12B-D1-ST	3/4"	107	50	70	44.5	120	300