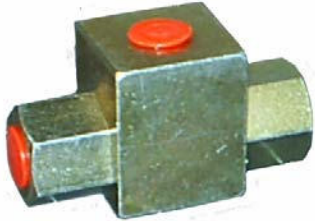
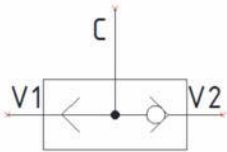
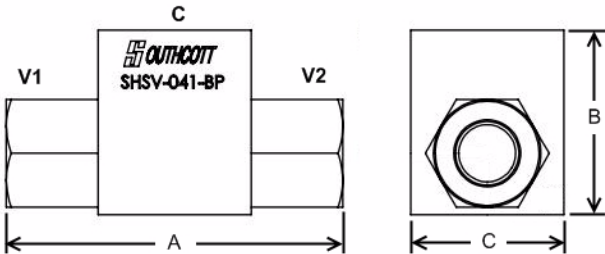

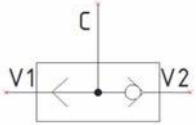
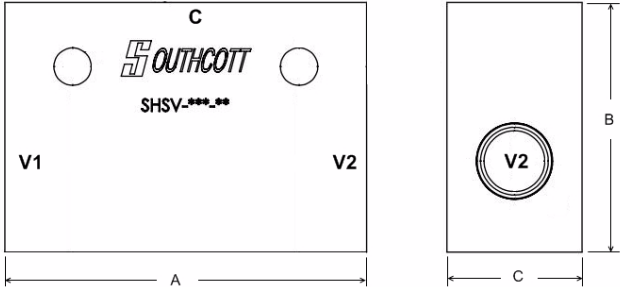


SHUTTLE VALVES



SHSV Series

 <p>Body material - Steel Size - 1/4" BSPP</p>  	 <p>Body Material - Aluminium Size - 1/2" BSPP - 7/8" UNO - 1.1/16 UNO</p>  
---	---

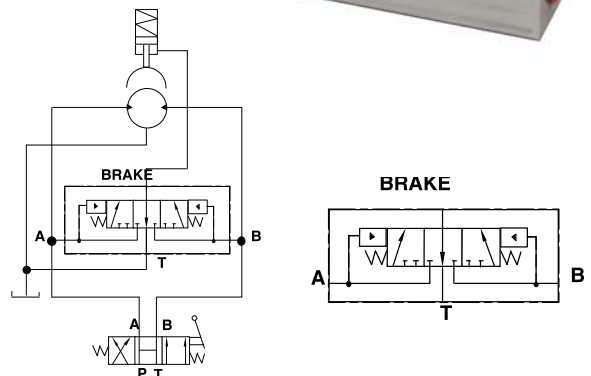
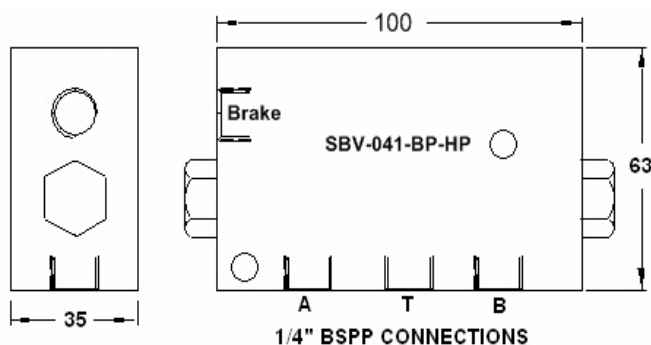
Part No.	Material	Ports C V1, V2	Rated Flow (L/ min)	Max. Pressure (BAR)	Dimensions (mm)		
					A	B	C
SHSV-041-BP	Steel	1/4" BSPP	12	350	70	38	32
SHSV-081-BP	Aluminium	1/2" BSPP	60		102	70	40
SHSV-141-UN	Aluminium	7/8" UNO	60		102	70	40
SHSV-171-UN	Aluminium	1-1/16" UNO	90		121	70	40

SBV Series

BRAKE RELEASE VALVE

The design of this valve makes it ideally suited for a high pressure brake release circuit. In the neutral position the spring centred spool type shuttle valve directs oil from the brake release system to tank. When pressure is applied to one of the two inlet ports, high pressure oil is directed to the brake release system.

Body material - 2011-T6 Aluminium
Rated flow - 16 L/min. (4 US Gpm)
Maximum pressure - 2 to 40 BAR (3500 psi)
Shifting pressure - 5.6 BAR (80 psi)
Port size - 1/4" BSPP



Part No.
SBV-041-BP-HP