

ACCUMULATOR ACCESSORIES AND SPARES



CHARGING KIT
(includes regulator, as pictured)

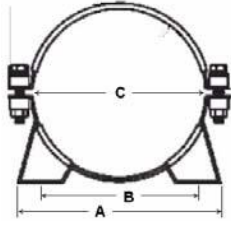
Part No.
SCK-1000R

(without regulator)

SCK-1000

REPLACEMENT BLADDER	
Part No.	Nominal Size (Litres)
SBK-1.0-N	1
SBK-2.5-N	2.5
SBK-4.0-N	4
SBK-10-N	10
SBK-20-N	20
SBK-32-N	32
SBK-50-N	50

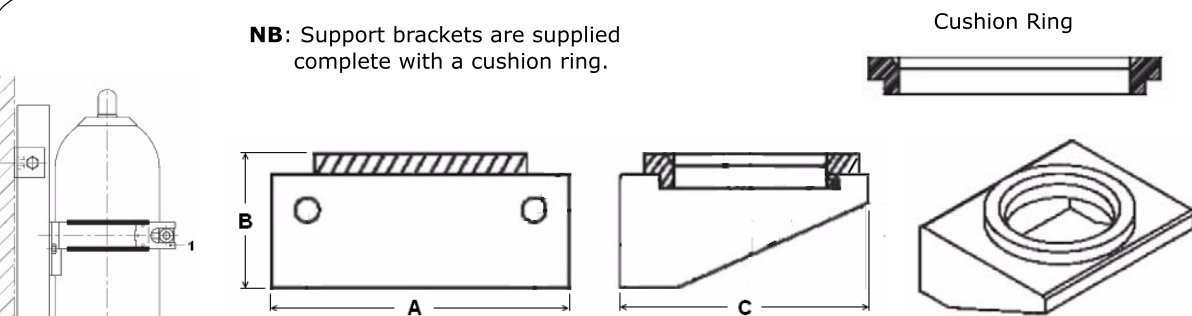
SEAL KIT+ANTI-EXTRUSION RING	
Part No.	Nominal Size (Litres)
SK-SBA-1.0	1
SK-SBA-2.5	2.5
SK-SBA-4.0	4.0
SK-SBA-10	10 - 50



SADDLE CLAMP (for mounting accumulators)

Part No.	Accumulator Size (Litres)	Dim. A	Dim. B	Dim. C
SSC-114	1.0 & 2.4	138	100	114
SSC-168	4	188	148	168
SSC-226	10 to 50	270	216	226

NB: Support brackets are supplied complete with a cushion ring.



Cushion Ring

SUPPORT BRACKET + CUSHIONS RING					CUSHION RING
Part No.	To Suit	Dimensions			Part No.
		A	B	C	
SSB-2	4.0L	210	95	175	SCR-2
SSB-3	10L to 50L	260	120	235	SCR-3

1 Clamp
2 Support
3 Cushion Ring