

Filler - Breather Caps HB110 & HB120 Series

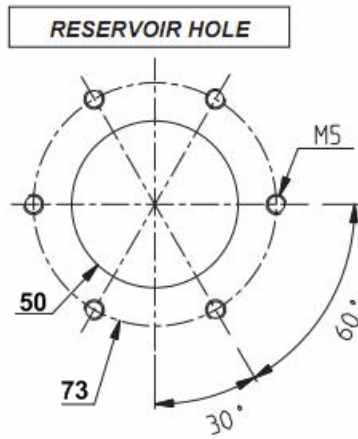
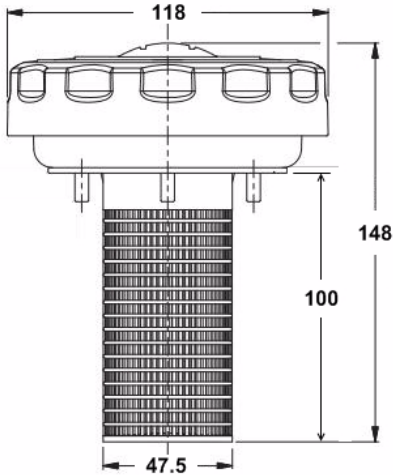
Filler Breather Caps are used for air filtration and filling the reservoir.

These cap covers are made of reinforced fibreglass and can have an antisplash device and antipollution ring. Tank connection is made with screws.

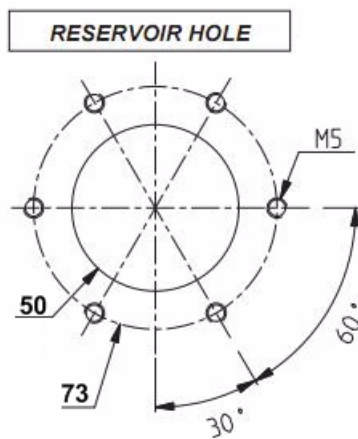
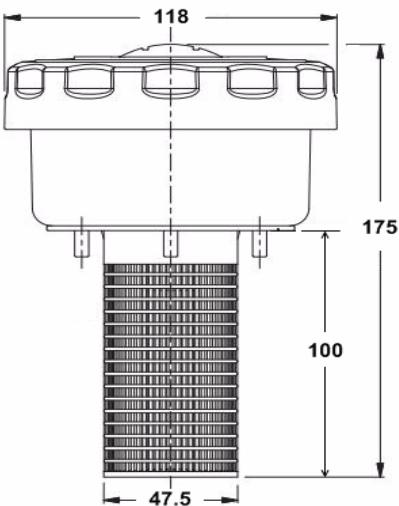
The breathers are fitted with a 10µm filter.

Air filtering capacity to 1400 l/min.

Prearranged for an Indicator Gauge if required.



Part No.	Rated Max. l/min.	µm	Added Feature
HB110-SP010-XN-GOSZ	1400	10	-
HB110-SP010-XN-GASZ	1400	10	Antisplash



Part No.	Rated Max. l/min.	µm	Added Feature
HB120-SP010-XD-GOSZ	1800	10	-
HB120-SP010-XD-GASZ	1800	10	Antisplash