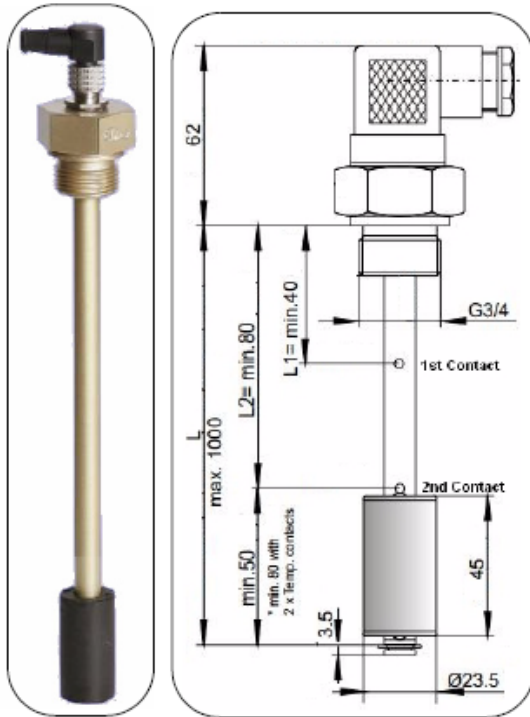


## Buhler Reservoir Level & Temperature Probes

The Buhler Level and Temperature Probes are used to monitor the oil level and the operating temperature of a hydraulic oil reservoir. They have a 3/4" BSPP connection thread for easy fitment. They offer up to four outputs in a compact design with small dimensions, a reliable float system and a housing made of brass.



Part Number	Level Switches	Temp. Switch	Dim L mm
M-MS-M3/280-1K	1	-	280
M-MS-M3/280-2K	2	-	
M-MS-M3/280-1K-80NC	1	N/C	
M-MS-M3/280-1K-80NO	1	N/O	
M-MS-M3/370-1K	1	-	370
M-MS-M3/370-2K	2	-	
M-MS-M3/370-1K-80NC	1	N/C	
M-MS-M3/370-1K-80NO	1	N/O	
M-MS-M3/500-1K	1	-	500
M-MS-M3/500-2K	2	-	
M-MS-M3/500-1K-80NC	1	N/C	
M-MS-M3/500-1K-80NO	1	N/O	

NB: The above are our standard range, however probes up to 1000mm long can be supplied upon special request.



### Magnetic Plugs



Part Number	Thread BSPP	Material
36.0505	1/4"	Aluminium
36.0505B		Brass
36.0506	3/8"	Aluminium
36.0506B		Brass
36.0508	1/2"	Aluminium
36.0508B		Brass
36.0512	3/4"	Aluminium
36.0512B		Brass
36.0520	1"	Aluminium
36.0520B		Brass

### Gearbox Breathers



Part Number	Thread BSPP
130300020	1/8"
130300021	1/4"
130300009	3/8"
130300013	1/2"
130300002	3/4"
130300016	1"
130300037	1-1/4"